



## OUTDOOR DUAL (+2) ■ Manual, Non-Refrigerated Hydration Station Combo

Oasis's Outdoor Dual, combines a bottle filling facility with two, bi-level drinking fountains. This is the sustainable hydration solution for park visitors and city goers alike.

This Outdoor Dual requires no electricity, for easy installation and maximum flexibility in placement. Simply activate the unit via one of the push-buttons.

Its vandal-resistant design and corrosion-resistant cabinetry ensure durability in any environment. Designed with an open-sided alcove for easy access, it provides refreshing water wherever it's needed. By offering a sustainable alternative to single-use plastic bottles, the Oasis Outdoor Dual promotes eco-friendly habits and reduces plastic waste and litter.

Also available with one arm only

Available in the following standard colours:

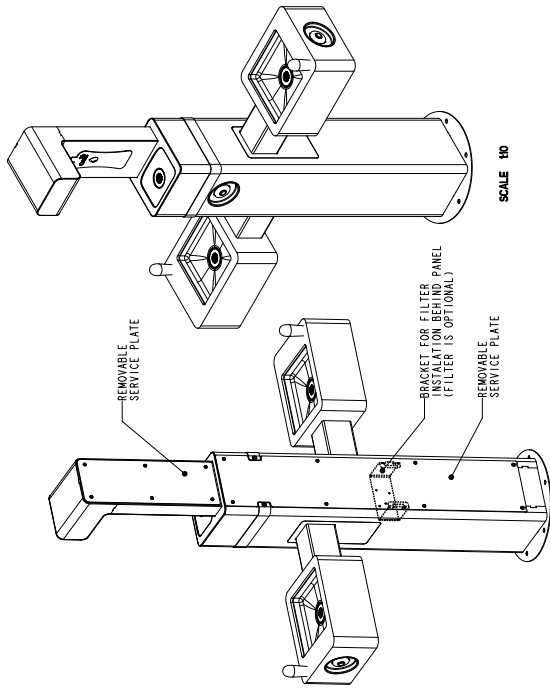
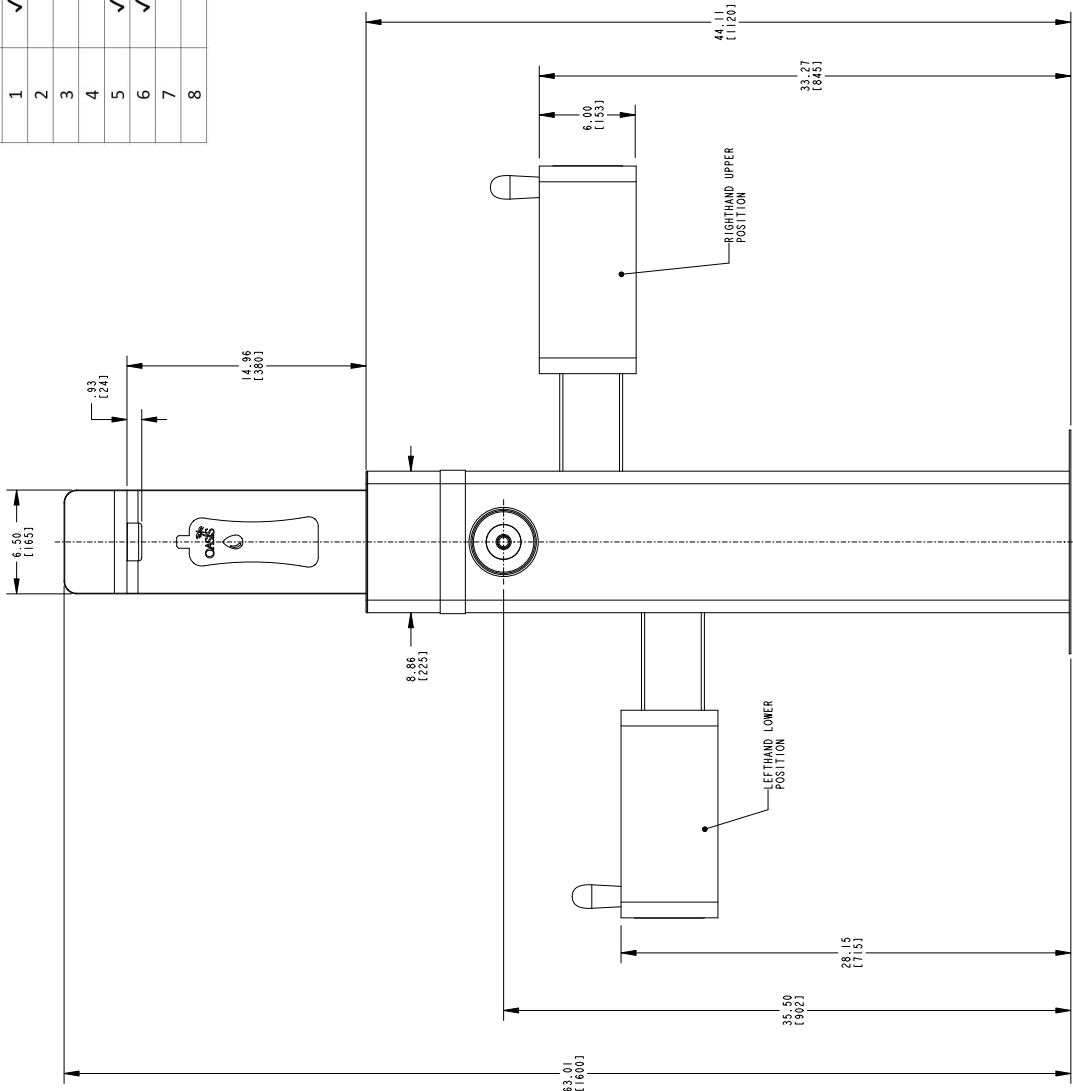
- Forest Green
- Navy
- White.



MODEL CODE	Outdoor Dual (+2)
ACTIVATION	Manual (Push-button)
FILTRATION	Green Filter (optional), Built-in 100 micron strainer
DRAINAGE TYPE	1-1/4" BSP connection.
EXTERIOR DIMENSIONS	Powder coated, 2.5mm marine grade 316 stainless steel
ALCOVE HEIGHT	1600(H) x 1095(W) x 355.6(D) [mm]
NET WEIGHT	380 mm
POWER SUPPLY	52 kg
COUNTRY OF ORIGIN	No Electricity Required
CERTIFICATIONS	Poland
WARRANTY	Reg 4 compliant
	1 Year

3 4 5 6

CONFIG.	ARM SIDE AND POSITION				UNIT SIZE [mm]			ESTIMATED WEIGHT	
	LEFT		RIGHT		HEIGHT	DEPTH	WIDTH	[kg]	[lb]
	LOWER	UPPER	LOWER	UPPER					
1	✓				1600	355,6	~775	43	95
2		✓			1600	355,6	~775	43	95
3			✓		1600	355,6	~775	43	95
4				✓	1600	355,6	~775	43	95
5	✓		✓		1600	355,6	~1195	52	115
6	✓			✓	1600	355,6	~1195	52	115
7		✓	✓		1600	355,6	~1195	52	115
8		✓		✓	1600	355,6	~1195	52	115



**PRELIMINARY**

NOTE: 1. DIMENSIONS IN BRACKETS ( ) ARE IN MILLIMETERS.

PRODUCT ENGINEERING  
 OASIS INTERNATIONAL  
 229 East Campus View Blvd.  
 Columbus, Ohio 43235 U.S.A.

DATE CHECKED: 2/1/01  
 DATE DESIGNED: 1/1/01

TITLE: OUTDOOR FOUNTAIN  
 REF: 241107TL01  
 W/ FOUNTAIN ARM

UNLESS OTHERWISE SPECIFIED:  
 DIMENSIONS IN MILLIMETERS

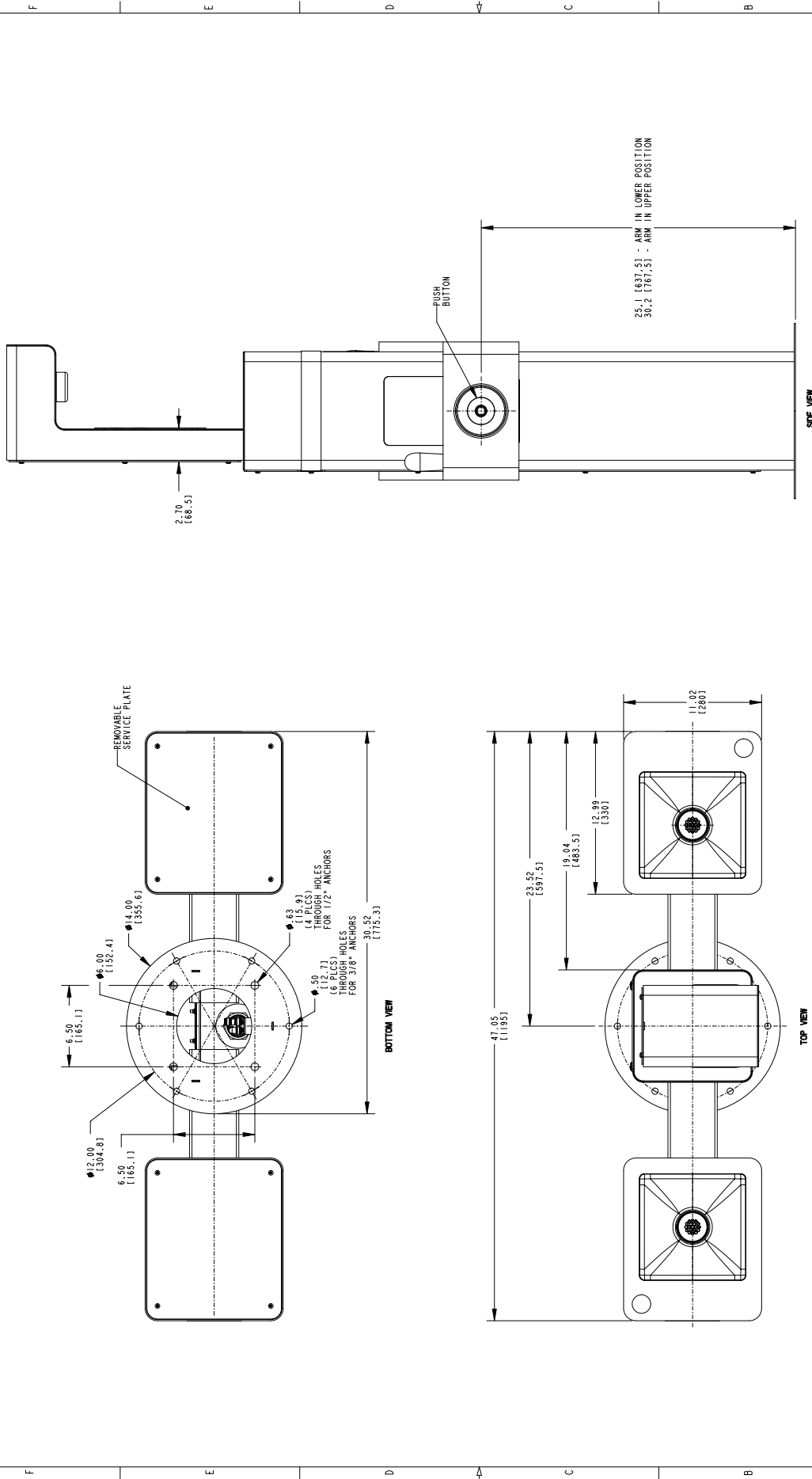
TOLERANCES:  
 DECIMALS ±0.25 (0.010)  
 FRACTIONS ±1/16 (1.63)  
 ANGLES ±0.127

THIRD ANGLE PROJECTION (SIMILAR TO  
 FIRST ANGLE PROJECTION)

SCALE: 1:5  
 RELEASE CODE: 241107TL01  
 SHEET 1 of 2

SEE SHEET 2 FOR ADDITIONAL VIEWS

3 4 5 6



**PRELIMINARY**

NOTE: 1. DIMENSIONS IN BRACKETS [ ] ARE IN MILLIMETERS.

REV	DATE	BY	CHK	APPD.	DIST. CODE
1					

PROJECT: OUTDOOR FOUNTAIN FREE STANDING W/ FOUNTAIN ARM

SCALE: 1:5

TITLE: OUTDOOR FOUNTAIN FREE STANDING W/ FOUNTAIN ARM

DATE: 24/10/2011

PROJECT NO: 24107TL01

SCALE: 1:5

PROJECT: OUTDOOR FOUNTAIN FREE STANDING W/ FOUNTAIN ARM

DATE: 24/10/2011

PROJECT NO: 24107TL01



www.oasiscoolers.eu  
info@oasis.ie

**OASIS IRELAND**  
Bunree Industrial Estate, Ballina,  
Co. Mayo, F26 D5R3, Ireland.  
+353 96 71222

**OASIS POLAND**  
ul.Gutenberga 20,  
44-164, Gliwice, Poland  
+48 32 332 65 01