



FREE STANDING PCP8EBFY ■ Contactless, Refrigerated
FREE STANDING PCPEBFY ■ Contactless, Non-Refrigerated
 Bottle Filler

This free standing bottle filler includes an electronic sensor for a contactless (touch free) activation and a 30 second shut off timer.

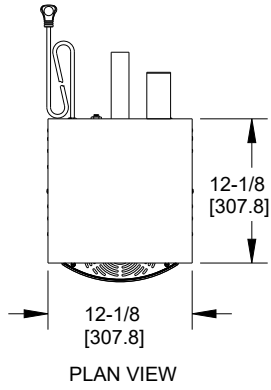
Moulded components shall contain Freshield, which utilises a silver-based antimicrobial compound that reduces the growth of micro-organisms and mildew to protect the surfaces from discolouration, odours and degradation.

Complies with ANSI A117.1 and ADA. Shall comply with all relevant CE directives (LVD , EMC, RoHS). Shall comply with ANSI/NSF 61.

Suitable for public building, gymnasiums, sports complexes, hospitals, schools, and offices.

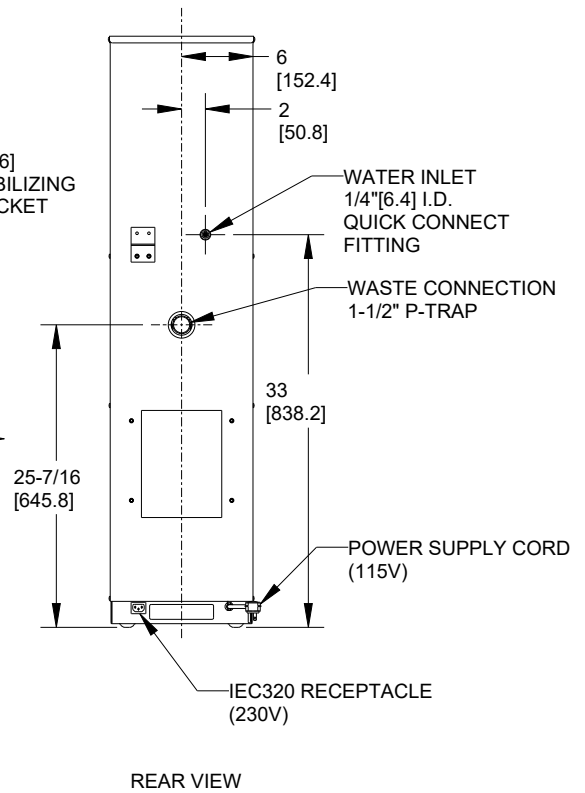
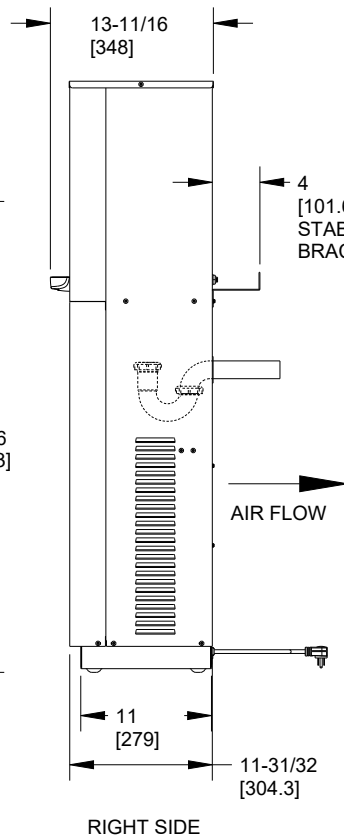
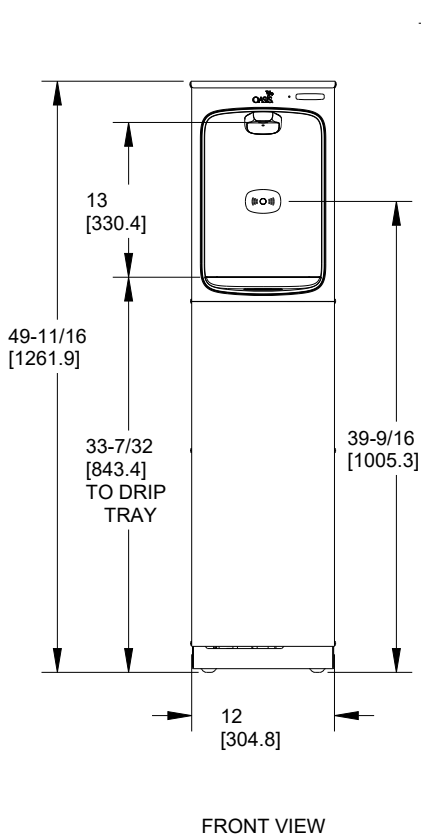


MODEL CODE	PCP8EBFY 507221E	PCPEBFY 507197
ACTIVATION	Contactless (Infrared sensor)	
SENSOR COVERAGE	Up to 5cm (approx.)	
FILTRATION	Green Filter (optional), Built-in 100 micron strainer	
DISINFECTION	-	
AUTO-OFF WATER FLOW	Yes	
DRAINAGE TYPE	Built in drain, Removable drip tray	
EXTERIOR CHASSIS	Antimicrobial ABS Plastic, Brushed Stainless Steel	
DIMENSIONS	Heavy Duty Galvanised Steel	
ALCOVE HEIGHT	1262(H) x 304(W) x 339(D)	
NET WEIGHT	33.6kg	16.8kg
POWER SUPPLY	220-240V, 50/60 Hz	
COOLING PERFORMANCE	60 LPH Rated Capacity & Base Rate (10°C in 21°C amb. temp.)	Non-Refrigerated
FULL LOAD AMPS	2.2A	0.1A
RATED WATTS	457W	7 W
COUNTRY OF ORIGIN	Mexico	
CERTIFICATIONS	ANSI/NSF 61, CABO/ANSI A117.1, ADA, CE (LVD, EMC, RoHS)	
WARRANTY	1 Year	



ALL DIMENSION ARE IN INCHES.
DIMENSIONS IN BRACKETS [] ARE IN MILLIMETERS.

ALLOW 4"[102] FOR VENTILATION AT THE REAR OF THE WATER COOLER AND THE SIDES IF SET IN AN ALCOVE OR NEAR A CORNER.



www.oasis.ie
www.oasiscoolers.eu
info@oasis.ie

OASIS IRELAND
Bunree Industrial Estate, Ballina,
Co. Mayo, F26 D5R3, Ireland.
+353 96 71222

OASIS POLAND
ul. Gutenberga 20,
44-164, Gliwice, Poland
+48 32 332 65 01



CONTACTLESS
WATER
OASIS