



**VERSAFILLER P8SBFY** ■ Manual, Refrigerated  
**VERSAFILLER PSBF** ■ Manual, Non-Refrigerated  
 Hydration Station Combo



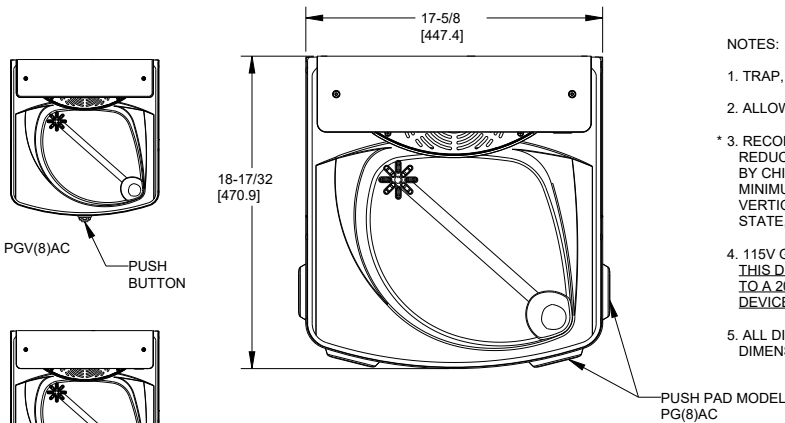
This surface mount hydration station combo is manually activated.

The bottle filler requires a push of the touch-button, while the drinking fountain is activated via one of four push-pads.

Key Versafiller moulded components shall contain Freshield, which utilises a silver-based antimicrobial compound that reduces the growth of micro-organisms and mildew to protect the surfaces from discolouration, odours and degradation.

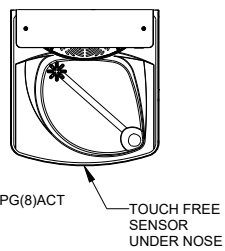
Suitable for public building, gymnasiums, sports complexes, hospitals, schools, and offices.

MODEL CODE	P8SBFY 503961E + 507012	PSBF 507305
ACTIVATION	Bottle Filler: Manual (Touch-Button) Drinking Fountain: Manual (Four push-pads)	
FILTRATION	Green Filter (optional), Built-in 100 micron strainer	
AUTO-OFF WATER FLOW	No	
DRAINAGE TYPE	Built in drain, Removable drip tray	
EXTERIOR CHASSIS DIMENSIONS	Antimicrobial ABS Plastic, Brushed Stainless Steel Heavy Duty Galvanised Steel 960(H) x 413(W) x 473(D)	
ALCOVE HEIGHT	330 mm	
NET WEIGHT	31 kg	16 kg
POWER SUPPLY	220-240V, 50/60 Hz	-
COOLING PERFORMANCE	60 LPH Rated Capacity & Base Rate (10°C in 21°C amb. temp.)	-
FULL LOAD AMPS	2.2A	-
RATED WATTS	450 W	-
ENERGY SYSTEM	Refrigeration is on only when in use or if water temp increases during long period of standby.	-
COUNTRY OF ORIGIN	Mexico	
CERTIFICATIONS	ANSI/NSF 61, CABO/ANSI A117.1, ADA, CE (LVD, EMC, RoHS), WRAS	
WARRANTY	1 Year	

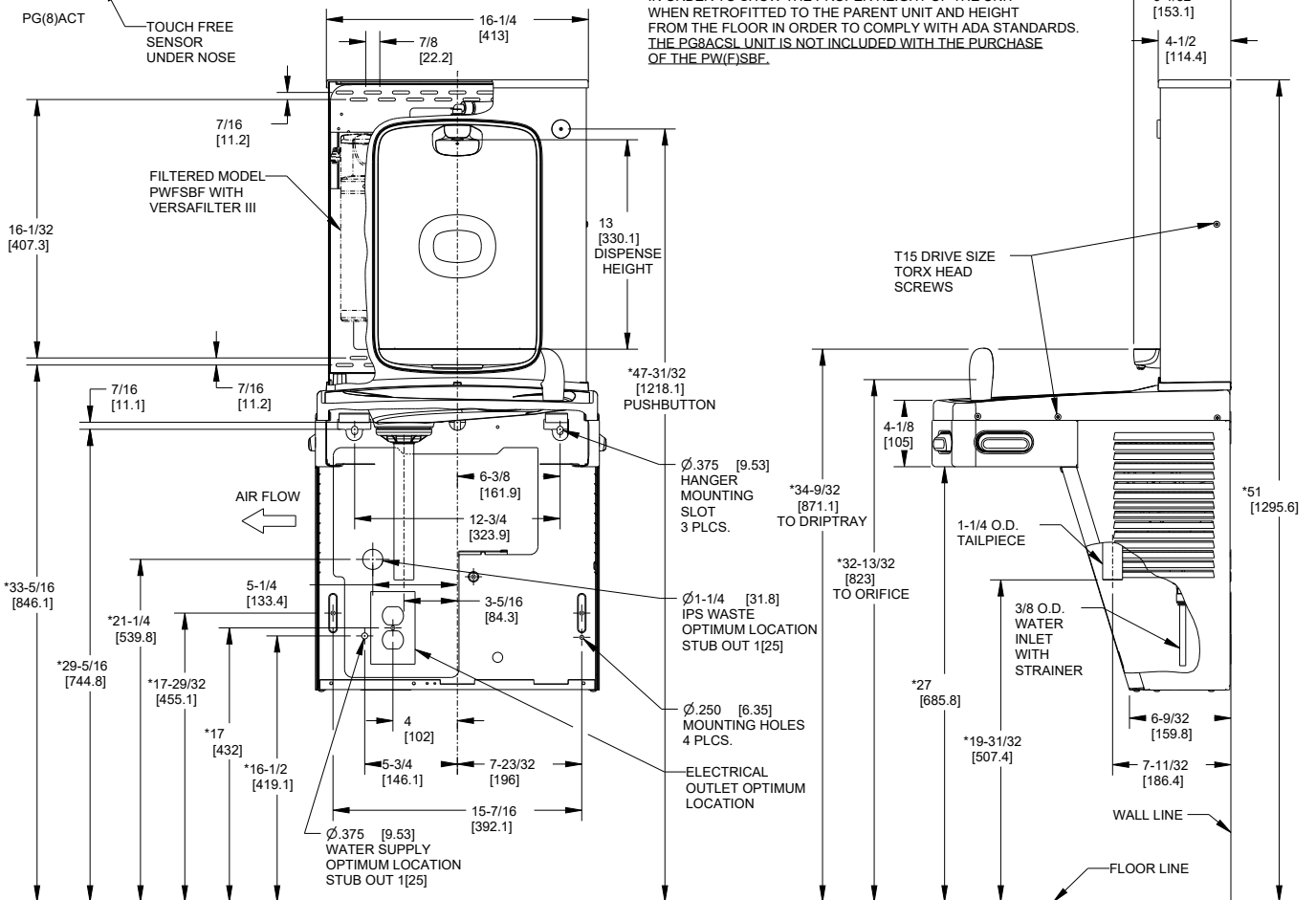


**NOTES:**

1. TRAP, STOP VALVE AND ELECTRICAL OUTLET NOT FURNISHED.
2. ALLOW 4 INCHES [102MM] MIN. PER SIDE FOR VENTILATION.
- \* 3. RECOMMENDED ADULT BARRIER FREE HEIGHT UNSTALLATION SHOWN. REDUCE HEIGHT BY 3 INCHES FOR INSTALLATIONS USED PRIMARILY BY CHILDREN AGES 12 AND YOUNGER. UNIT SHALL ALSO HAVE A MINIMUM CLEAR FLOOR SPACE 20[760] BY 48[1220]. ADJUST VERTICAL DIMENSIONS AS REQUIRED TO COMPLY WITH FEDERAL, STATE, AND LOCAL CODES.
4. 115V GROUNDED NORTH AMERICAN DUPLEX RECEPTACLE REQUIRED. THIS DRINKING WATER COOLER IS INTENDED TO BE CONNECTED TO A 20A MINIMUM GROUND FAULT CIRCUIT INTERRUPTING (GFCI) DEVICE TO MEET UL REQUIREMENTS.
5. ALL DIMENSIONS ARE IN INCHES. DIMENSIONS IN BRACKETS [ ] ARE IN MILLIMETERS.



ROUGH-IN DRAWING IS SHOWN WITH A PG8ACSL UNIT IN ORDER TO SHOW THE PROPER HEIGHT OF THE UNIT WHEN RETROFITTED TO THE PARENT UNIT AND HEIGHT FROM THE FLOOR IN ORDER TO COMPLY WITH ADA STANDARDS. THE PG8ACSL UNIT IS NOT INCLUDED WITH THE PURCHASE OF THE PW(F)SBE.



www.oasiscoolers.eu  
info@oasis.ie

**OASIS IRELAND**  
Bunree Industrial Estate, Ballina,  
Co. Mayo, F26 D5R3, Ireland.  
+353 96 71222

**OASIS POLAND**  
ul. Gutenberga 20,  
44-164, Gliwice, Poland  
+48 32 332 65 01