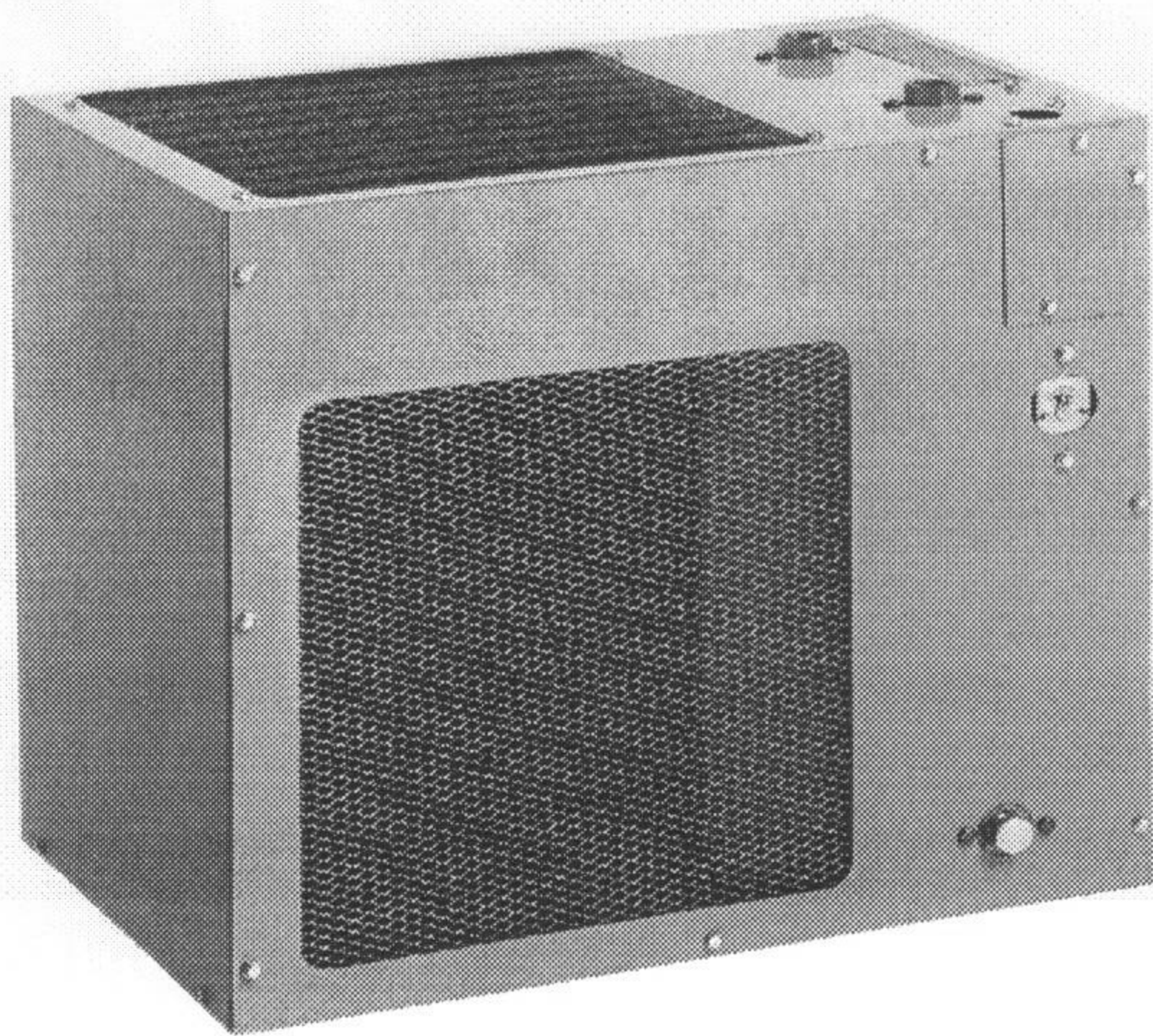




Illustrated Parts Breakdown

Models: **RLF8-D100,**
RLF8Y-D100



SPECIFICATIONS:

Model RLF8-D100

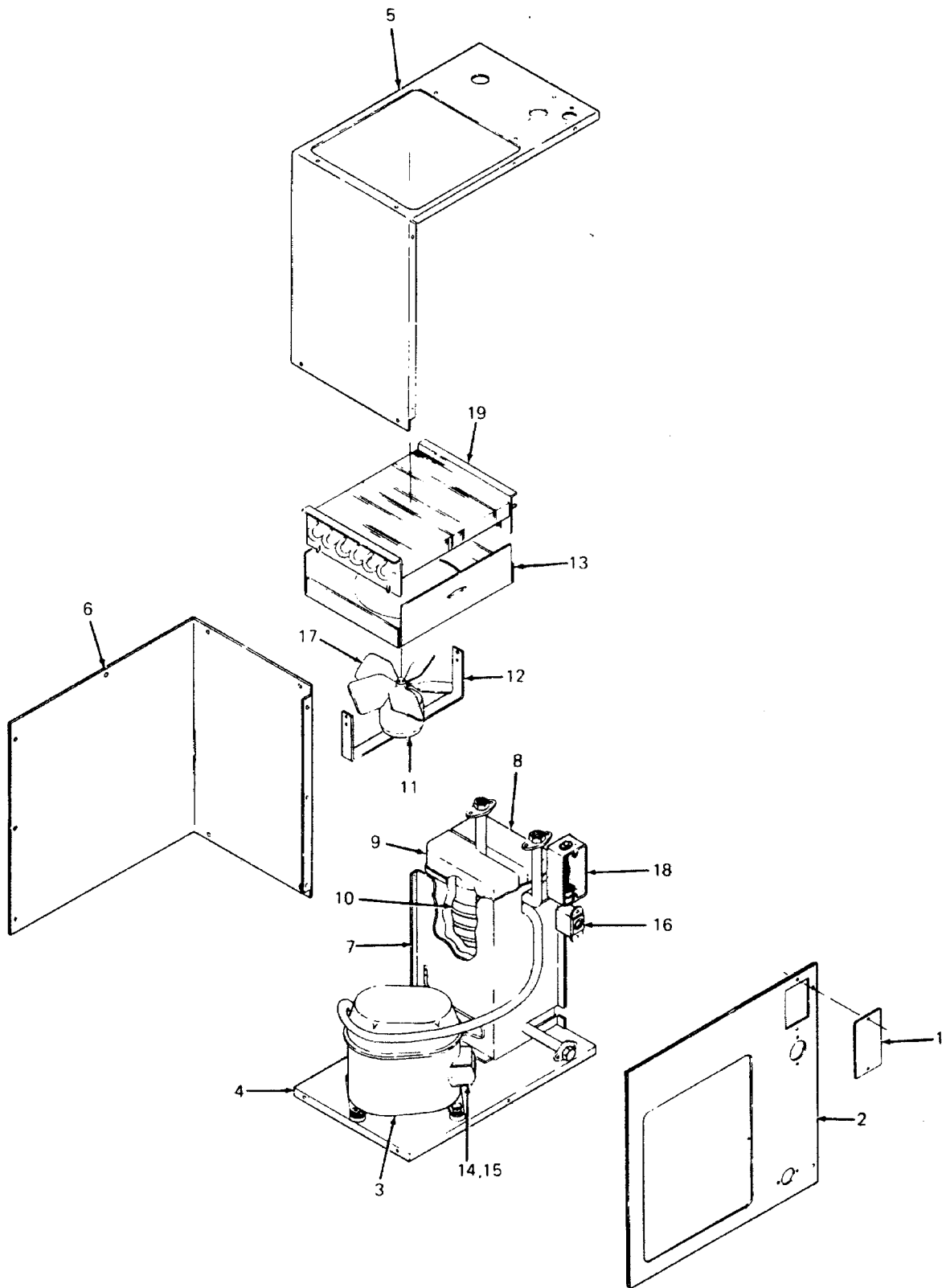
Voltage	115VAC±10%/1 PH/60 Hertz
Size	16 1/2"H x 16 1/2"W x 10 3/4"D
Shipping Weight (Approx)	49 lbs.
Cold Water Capacity*	8 GPH
Compressor	1/5 hp
Compressor (Full Load)	1.2 amps
Refrigerant	134a
Refrigerant Charge	6.0 OZ

Model RLF8Y-D100

Voltage	220-240V 50/60 Hertz
Size	16 1/2"H x 16 1/2"W x 10 3/4"D
Shipping Weight (Approx)	49 lbs.
Cold Water Capacity*	8 GPH
Compressor	1/5 hp
Compressor (Full Load)	1.2 amps
Refrigerant	134a
Refrigerant Charge	6.0 OZ

*A.R.I. Ratings: Room Temperature 80°F; Supply Water Temperature 90°F; Drinking Water Temperature 50°F.

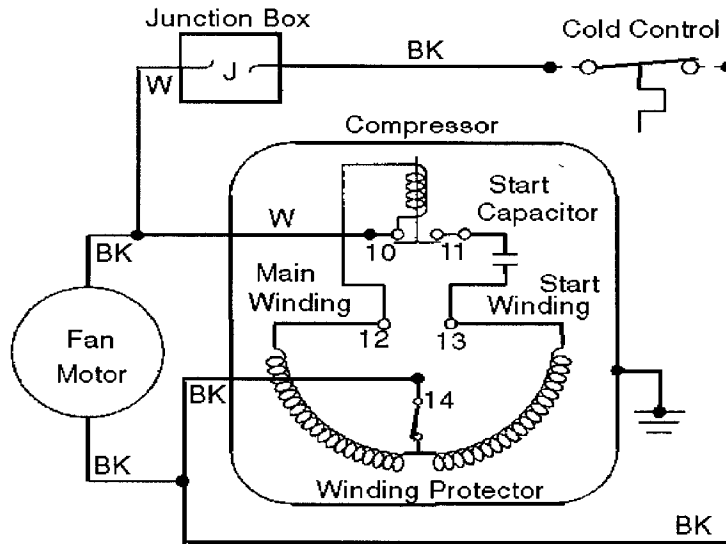
Specifications subject to change without notice.



Parts List

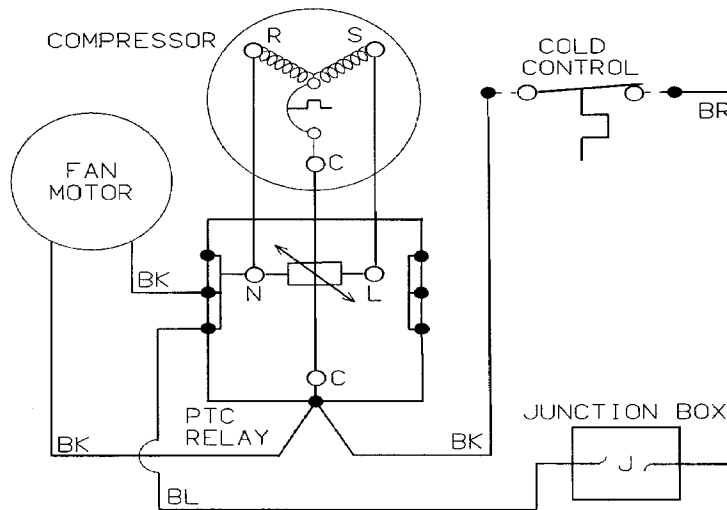
Item#	Description	RLF8-D100	RLF8Y-D100
1	Utility Box Cover.....	023877	023877
2	Panel Front.....	025619	025619
3	Compressor (includes 14 or 15).....	032834-003	031843-002
4	Base, Compressor.....	028820-001	028820-001
5	Panel, Side & Top.....	025615	025615
6	Panel, Rear & Side.....	025616	025616
7	Barrier, Fire.....	028821-001	028821-001
8	Insulation, Cooling Tank, Right Side.....	028660-001	028660-001
9	Insulation, Cooling Tank, Left Side.....	028661-001	028661-001
10	Cooling Tank Assembly, Insulated.....	031734-001	031734-002
11	Fan Motor.....	027354-036	027354-028
12	Bracket, Fan Motor.....	017530	017530
13	Shroud, Fan.....	017821	017821
14	Relay & Overload Combination.....	032836-002	N/A
15	Relay.....	N/A	026309
16	Cold Control.....	027040-007	027040-007
17	Blade, Fan.....	024033	024033
18	Electrical Box Assembly.....	028158-001	028158-001
19	Condenser.....	025757-001	025757-001
Parts Not Shown			
	Refrigerant Drier.....	033380-003	033380-003

Wiring Diagram: RLF8-D100



● =Termination Point

RLF8Y-D100



● - TERMINATION POINT


OASIS Corporation

265 N Hamilton Rd • PO Box 13150 • Columbus OH 43213

614/861-1350 • 614/864-9173 Fax

www.oasiswatercoolers.com

© 2002 OASIS Corporation

OASIS® and  are registered trademarks of OASIS Corporation