

OASIS has been using compressors from Tecumseh since 1994. These compressors are manufactured in Brazil.

In order to improve logistics and supply, OASIS is changing supplier to Embraco who is one of the major worldwide manufacturers of compressors with European based manufacturing facilities.



OASIS have carried out extensive development testing with Embraco. This has included full CE testing - updated CE reports and certificates are now available for all models. Results indicate that the performance of OASIS dehumidifiers with the new Embraco compressors is improved compared to that achieved with Tecumseh - capacity has increased and power consumption has reduced.

The table below compares the Power Factor for the D165HG unit fitted with Tecumseh and Embraco compressors. Power Factor is defined as the amount of water removed by the dehumidifier (measured in litres) per unit of electricity (measured in kW.hours). It is a measure of the energy efficiency of the unit.

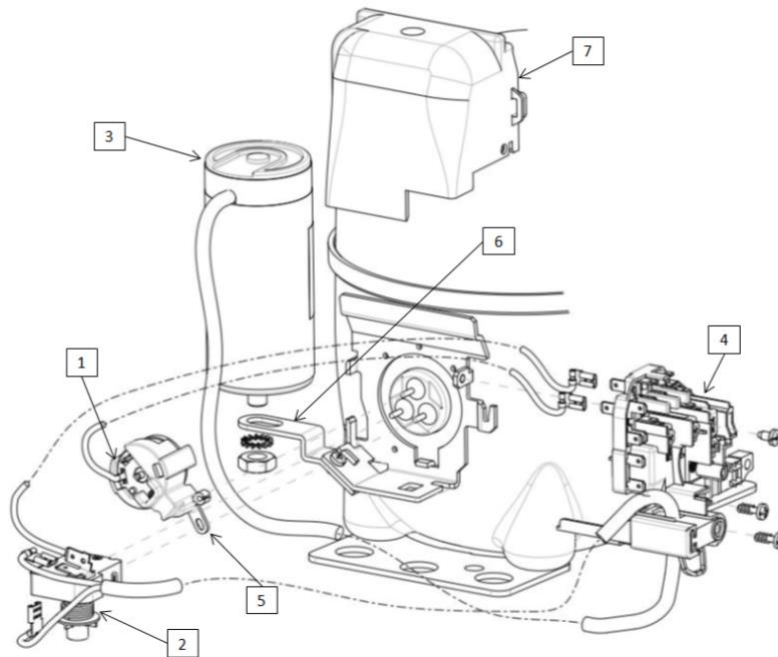
**Table: Power Factor**

Description	Test Conditions		Tecumseh		Embraco
	Temp (°C)	RH	AE3440YS	AE3440Y-FZ1A	NEU 6187Z
AHAM Standard Rate	26.7	60%	1.09	1.24	<b>1.36</b>
Euro Capacity Test	30	80%	1.36	1.70	<b>1.83</b>
Asian Capacity Test	32	90%	1.50	1.77	<b>2.16</b>
SWISS Efficiency Test	10	60%	0.32 [G]	0.63 [C]	<b>0.77 [A]</b>
SWISS Efficiency Test	15	60%	-	-	<b>1.00 [A]</b>
SWISS Efficiency Test	20	60%	-	-	<b>1.25 [B]</b>

[ ] Swiss Energy Rating (A - G scale)

In order to simplify identification of dehumidifiers fitted with Embraco compressors, all part numbers for finished products have been updated. If you previously ordered 032504P103 units, then new part number will be 032504E103.

Table below gives details of all part numbers required to order accessories for this compressor



Ref	Component	D75	D125	D165
-	COMPRESSOR ASSY	040009-001	040010-001	040011-001
1	OVERLOAD PROTECTOR	031697-028	031697-029	031697-030
2	RELAY	031698-017	031698-018	031698-019
3	START CAPACITOR	040012-001	040012-001	040012-001
4	TERMINAL BOARD	400025-001	400025-001	400025-001
5	O/LOAD BRACKET	040013-002	040013-001	040013-001
6	CAPACITOR BRACKET	040014-001	040014-001	040014-001
7	TERMINAL COVER	040015-002	040015-001	040015-001