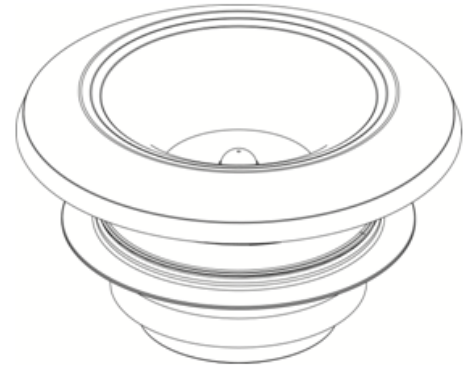
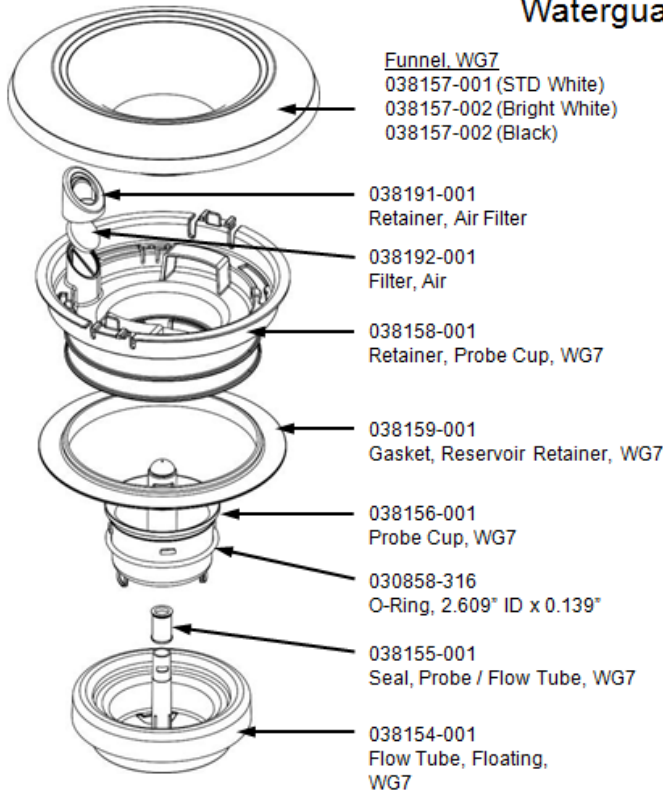


Waterguard 7

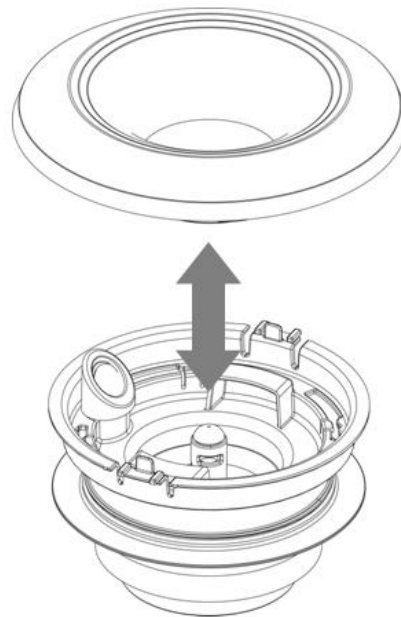
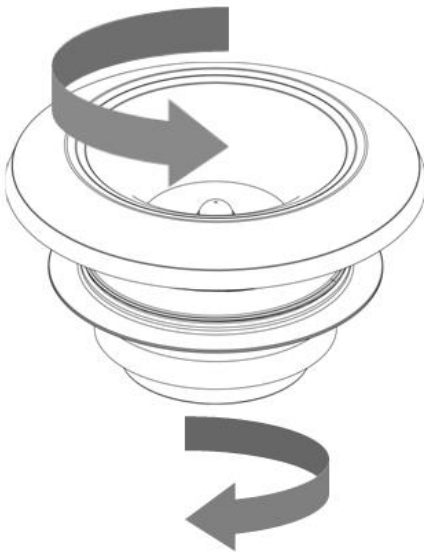


Waterguard 7 Assemblies

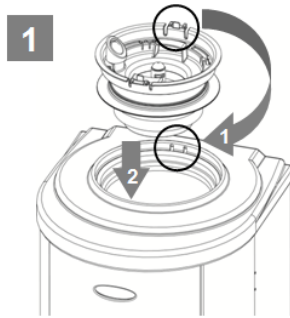
038270-001 WTG 7 ASSY, STD WHITE
038270-002 WTG 7 ASSY, BRIGHT WHITE
038270-003 WTG 7 ASSY, BLACK

Installing the Waterguard 7 Into a Cooler

Remove the Funnel from the assembled Waterguard 7 by turning it counter-clock wise.

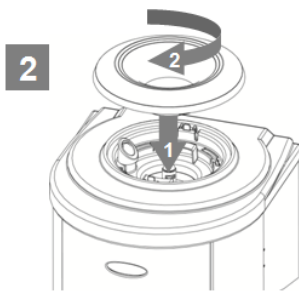
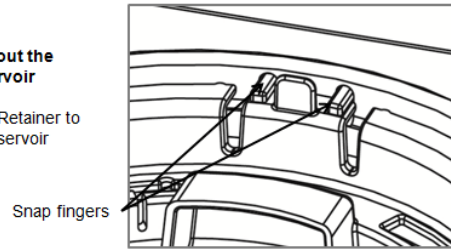


Assembling into a Cooler with a SS Reservoir



Insert the WG7 Assembly without the Funnel attached into the Reservoir

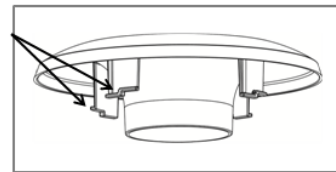
1. Align the snap fingers on the Retainer to the receiving holes on the Reservoir
2. Press into place



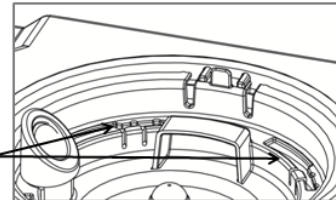
Install the Funnel

1. Align the snaps on the underside of the Funnel with the receiving holes on the Retainer.
2. Spin the Funnel Clockwise to lock into place.

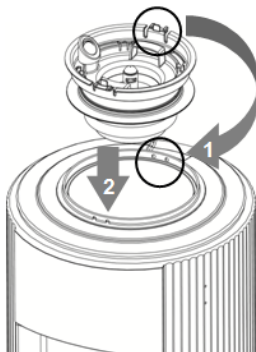
Snap fingers on underside of Funnel



Receiving holes in Retainer.

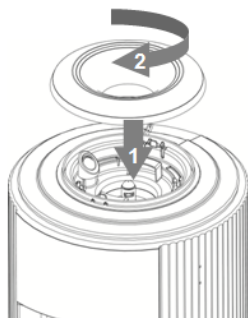
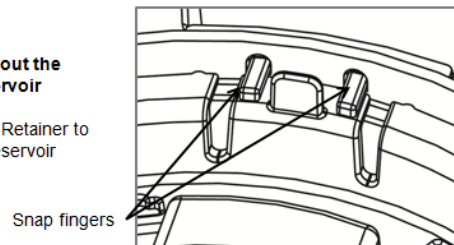


Assembling into a Cooler with a Removable Reservoir



Insert the WG7 Assembly without the Funnel attached into the Reservoir

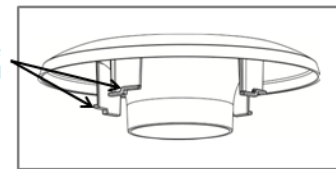
1. Align the snap fingers on the Retainer to the receiving holes on the Reservoir
2. Press into place



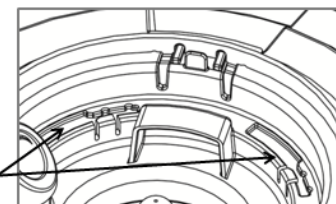
Install the Funnel

1. Align the snaps on the underside of the Funnel with the receiving holes on the Retainer.
2. Spin the Funnel Clockwise to lock into place.

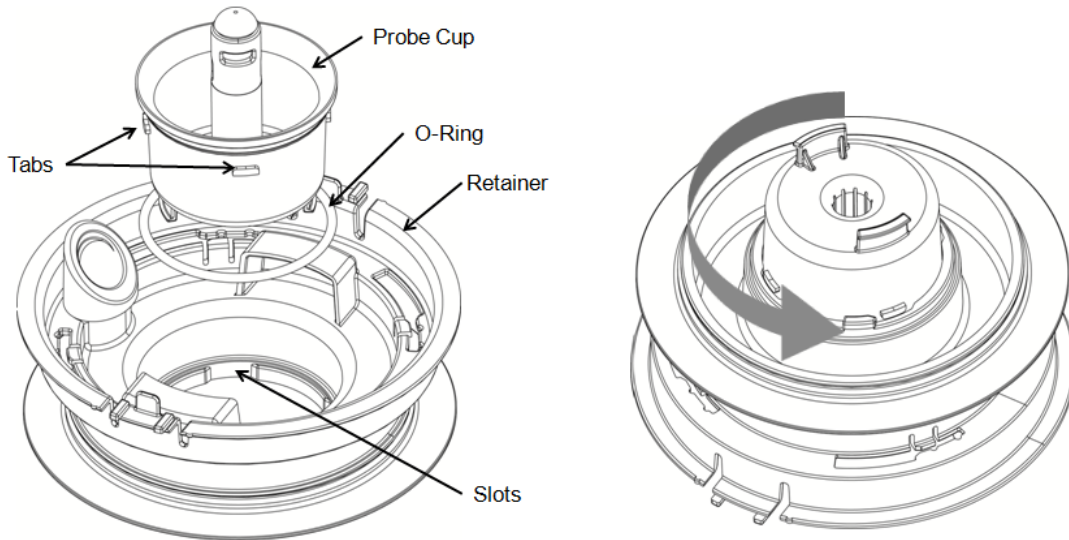
Snap fingers on underside of Funnel



Receiving holes in Retainer



Assembling Probe Cup

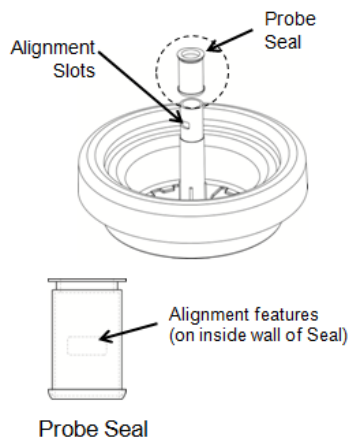


Assemble Probe Cup and O-Ring into the Retainer. Align tabs on Probe Cup with slots on the Retainer and press into place.

Spin the Probe Cup counter-clockwise until it is stopped by the tab on the Retainer

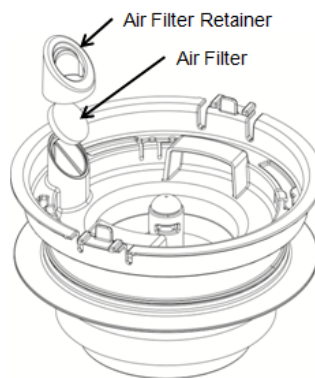
Servicing the Waterguard 7

Replacing the Probe Seal



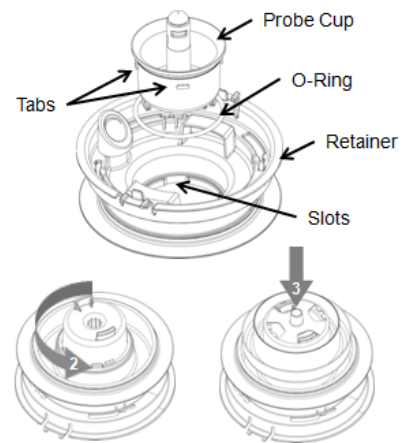
1. Remove the Probe Seal from the Floating Probe Tube.
2. Place a new Seal onto the Floating Probe Tube oriented as shown with the alignment details on the Seal and Tube together.

Replacing the Air Filter



1. Remove the Funnel.
2. Remove the Air Filter Retainer from the filter holder.
3. Remove the Air Filter.
4. Install new Air Filter onto the Air Filter Retainer
5. Press the Retainer/Filter onto the filter holder

Assembling the Waterguard



1. Assemble Probe Cup and O-Ring into Retainer. Align tabs on Probe Cup with slots on Retainer and press into place.
2. Spin the Probe Cup Counter-clockwise until it is stopped by the tab on the Retainer
3. Insert Floating Probe/Seal assembly into the Probe Cup and snap into place.