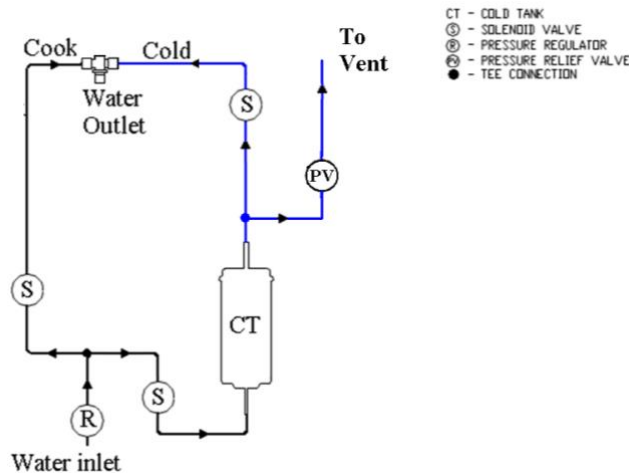


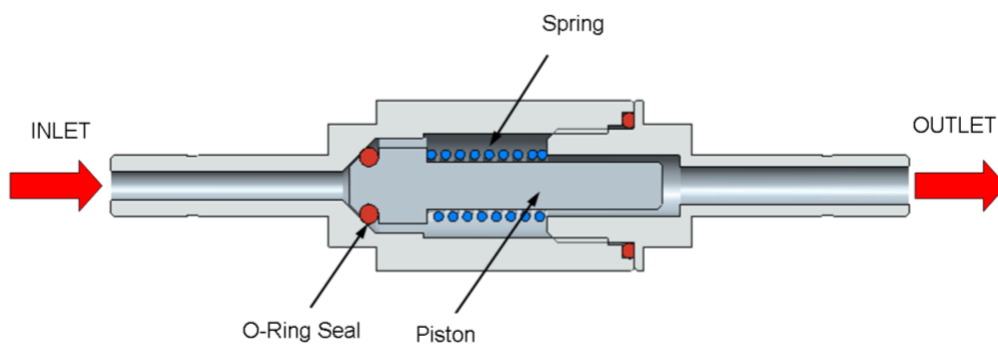
OASIS have developed a Pressure Relief Valve (PRV) system to assist in venting excessive pressure that can build up in the Kalix under certain operating conditions. This PRV will provide the following benefits:

- Reduce potential pressure burst when dispensing cold water
- Release pressure built up in the cold tank to reduce risk of damage to the tank

The diagram below shows where the PRV is installed in the cold water system. Basically a pressure build up in the cold tank will result in the PRV opening and the excess pressure being vented to atmosphere.



The operating principle of the PRV is shown in the schematic diagram below. In normal operation the spring holds the piston closed and there is no flow from the outlet. As pressure increases, it reaches a point at which the inlet pressure exceeds the spring force holding the piston closed. The piston then moves and allows excessive pressure to vent through the outlet. This causes a drop in inlet pressure which results in the piston resealing and the flow to the outlet shutting off. The PRV is designed to open at an inlet pressure of approximately 6 bar



It is possible to purchase retrofit kits to install PRV in existing products. These kits include all parts necessary to install the PRV and full fitting instructions.

Kit part numbers are as follows:

Product	Kit Part Number
Cook & Cold	037390P001
Hot & Cold	037390P002
Hot, Cook & Cold	037390P003