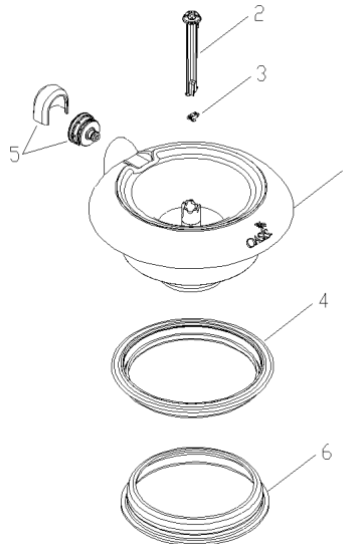


OASIS is in the process of replacing FreshGuard with WaterGuard VI (see diagram below). This new “no spill” device will function with bottle caps in exactly the same way as FreshGuard.

Please note WaterGuard VI will retrofit all previous generations of OASIS bottled water coolers.



Part numbers are as follows:

Ref	Level	Description	PE RESERVOIR		SS RESERVOIR	
			WHI	BLK	WHI	BLK
-	1	WTG6 ASSY	034982p211	034982p212	034982p221	034982p222
1	2	BODY, WTG VI	034932-101	034932-102	034932-101	034932-102
2	2	DIVIDER, FLOW FRG	034275-001	034275-001	034275-001	034275-001
3	2	CLIP, TOGGLE FRG	034276-001	034276-001	034276-001	034276-001
4	2	GASKET, WTG PE RES	033965-001	033965-001	-	-
4	2	GASKET, WTG VI SS RES G	-	-	033966-102	033966-102
5	2	ASSY, FILTER CK VALVE	033345-101	033345-101	033345-101	033345-101
6	2	RING, RETAINING WG6 PE RES	035897-001	035897-001	-	-
6	2	RING, RETAINING WG6 SS RES	-	-	035897-002	035897-002

Advantages of WTG6:

- The major advantage of WaterGuard VI is that the air filter has now been relocated outside of the main body of the device – any water spills during bottle changing will not enter the filter media.
- Improved aesthetic appearance
- Available in two colours (white and black) to match all OASIS water coolers
- Improved fit of gasket to WaterGuard body – this avoids any risk of the gasket becoming dislodged when the WaterGuard is removed from the reservoir