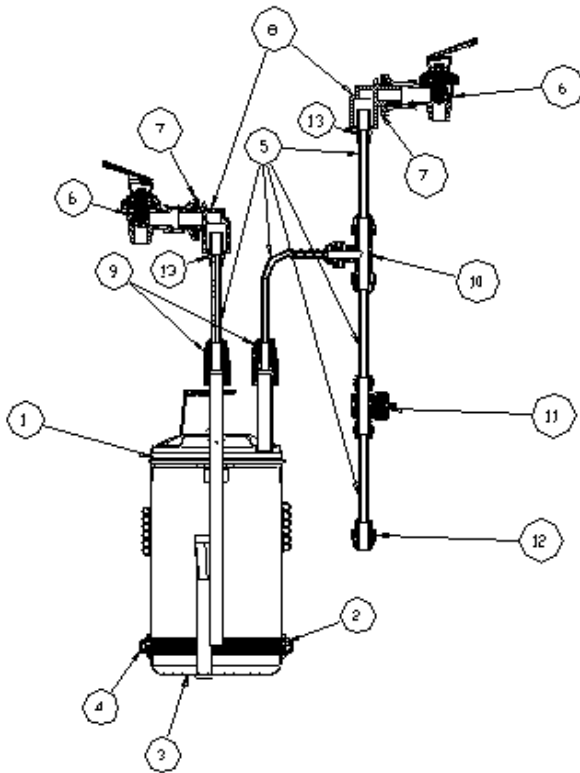


This procedure should be used for initial cleaning prior to commissioning and also for on-site sanitization. The diagram below illustrates the water circuit used in PV-DC model coolers.

A similar approach can be used for Pressure coolers.



No	Description
1	TANK HEAD
2	O-RING
3	TANK BASE
4	TANK COUPLING
5	TUBING
6	FAUCET ASSY
7	GASKET, FAUCET
9	CONNECTOR
8	FTG ASSEMBLY
10	TEE PIECE, 1/4"
11	SHUT-OFF VALVE, 1/4"
12	BULKHEAD CONNECTOR
13	REDUCER

### Equipment

- Household bleach (5% sodium hypochlorite)
- Mild soap solution
- Plastic bucket

### Preparation of Filter Cleaning Cartridge

- In order to get cleaning solution into contact with all of the water-contact surfaces it is recommended that you prepare a filter cleaning cartridge. This should consist of an empty filter housing and head assembly (i.e. does not contain a filter media). Proprietary systems are available from the major reputable suppliers of fittings which have 1/4" push-fit inlet and outlet suitable for use with the tubing contained in OASIS coolers.
- To prepare the cleaning cartridge, place 5 ml of the sodium hypochlorite solution into the empty housing and then re-fit the head.

### Sanitisation Instructions

- Temporarily disconnect the water cooler from the mains water supply and close the shut off valve
  - If a filter system has been installed in the cooler, then use the Filter Cleaning Cartridge to bypass the filter system (i.e. disconnect the tube attached to the inlet to the filter system and fit it to the inlet of the Filter Cleaning Cartridge & disconnect the tube attached to the outlet to the filter system and fit it to the outlet of the Filter Cleaning Cartridge)
- Reconnect the cooler to the mains water supply and open the shut off valve
- Allow the reservoir to fill with water (leave for about 5 minutes) and open both faucets to bleed all air from the system until water flows.
- Close the shut off valve and let cooler stand with cleaning solution in it for 20-30 minutes.
- After the 20-30 minutes are up, open the cooler shut off valve, and open the faucets for 2 minutes to remove all traces of cleaning solution.
- Close the shut off valve and remove the Filter Cleaning Cartridge
- Re-install the new filter system
- Open the cooler shut off valve and flush the filters and refill with water as normal.