

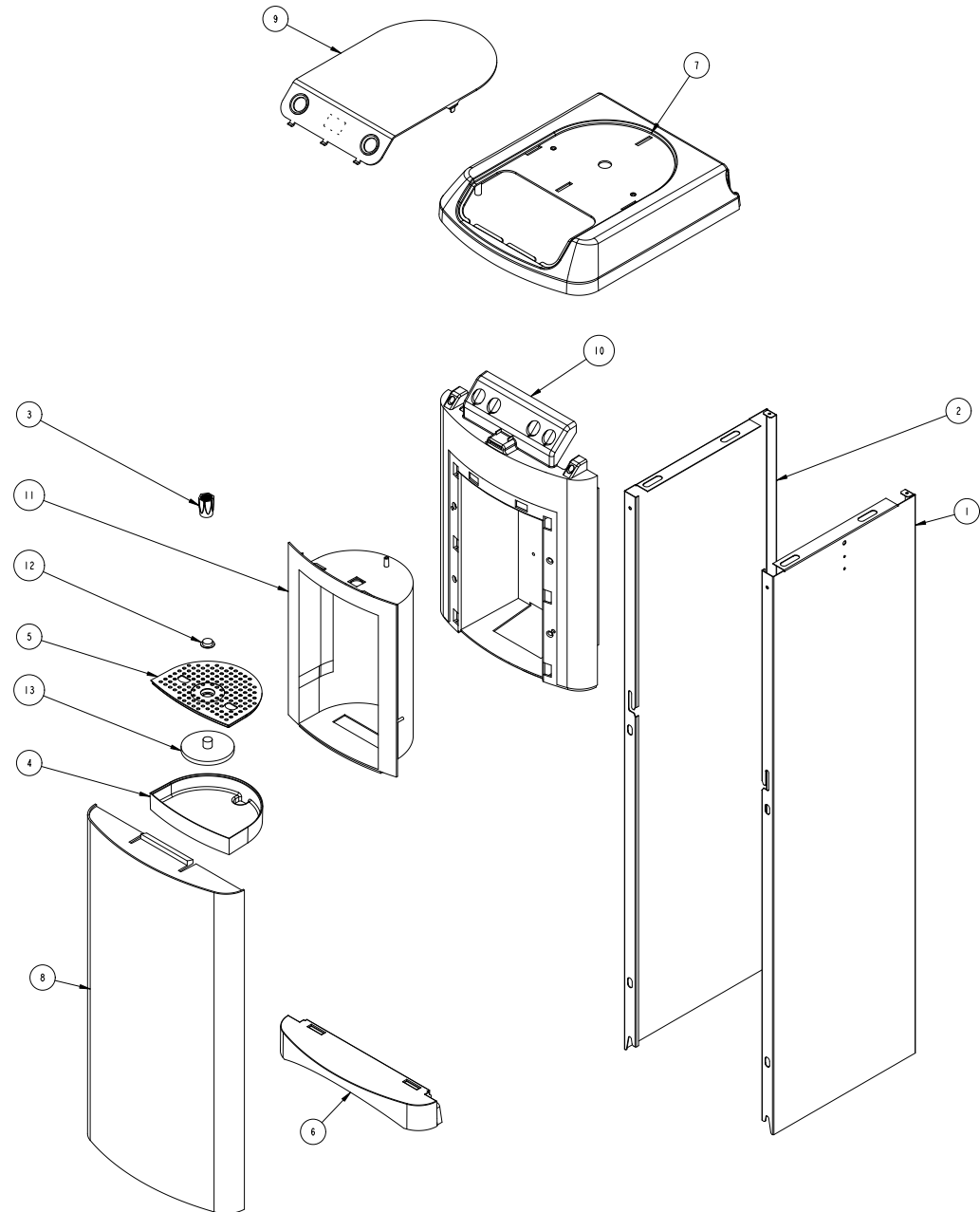


## Illustrated Parts Breakdown (IPB)

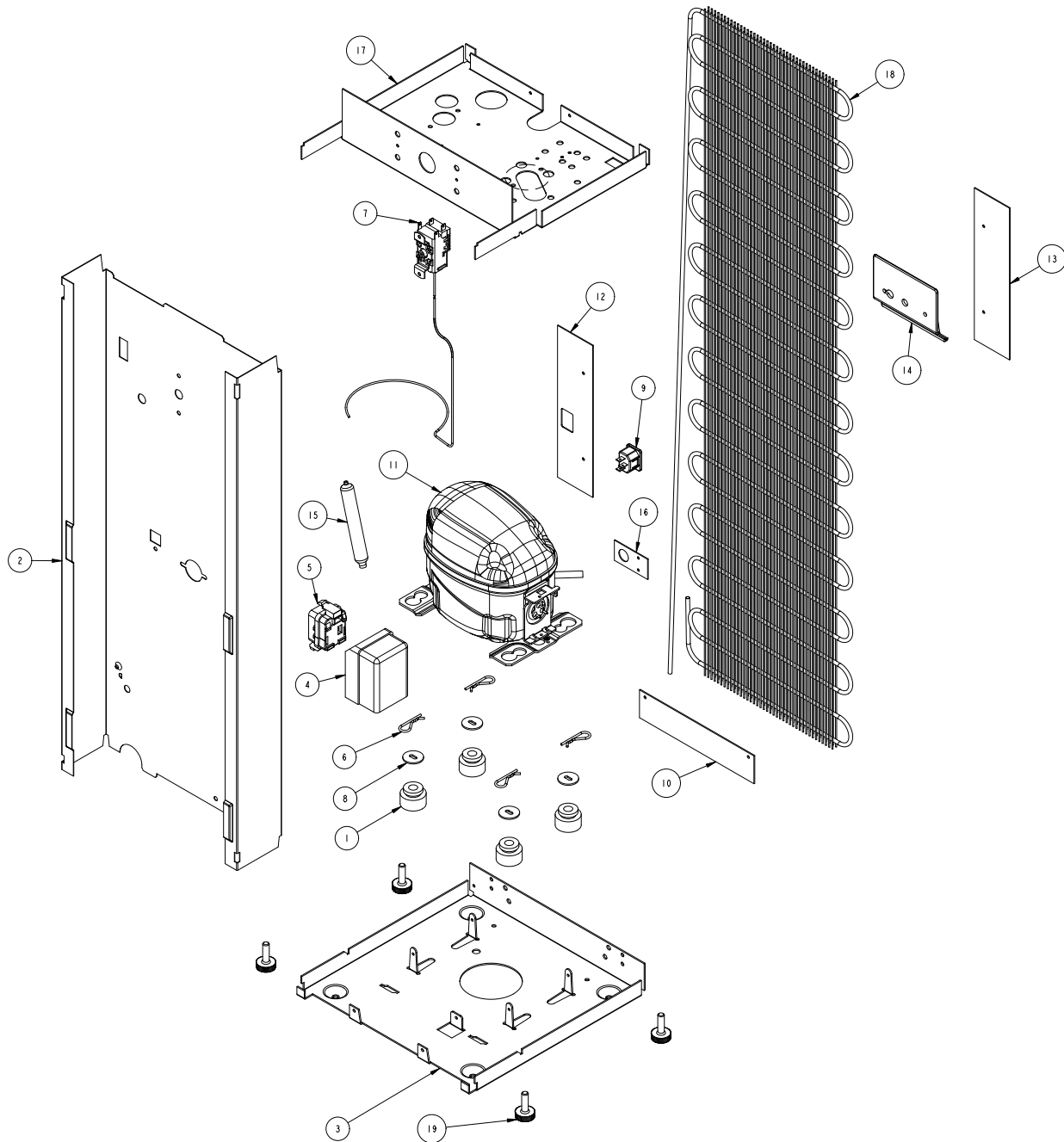
### P1PVKY

- Sheet 1.     Cabinetry
- Sheet 2.     Chassis
- Sheet 3.     Control Panel
- Sheet 4.     Cold Tank
- Sheet 5.     Water Circuit

ITEM	DESCRIPTION	COLOURS		
		SILVER	CREAM	GREY
1	SIDE PANEL, RH	034707-001	034707-001	034707-001
2	SIDE PANEL, LH	034708-001	034708-001	034708-001
3	SPOUT	034625-002	034625-002	034625-002
4	DRIP TRAY	034626-001	034626-001	034626-001
5	DRIP TRAY GRILLE	034668-001	034627-002	034627-003
6	TRIM, BASE	034629-001	034629-001	034629-001
7	TOP	034634-001	034634-001	034634-001
8	DOOR	034636-001	034637-002	034637-003
9	FASCIA INSERT	034628-001	034628-003	034628-004
10	FRONT PANEL	034639-001	034642-002	034642-003
11	INSERT, FRONT PANEL	034643-001	034643-001	034643-001
12	FLOAT INDICATOR - A	040090-001	040090-001	040090-001
13	FLOAT INDICATOR - B	040090-002	040090-002	040090-002



TITLE:	CABINETY (PIPVK)		
DATE:	21JUL16	SHEET:	-
DRAWN BY:	JFK	ECN:	-

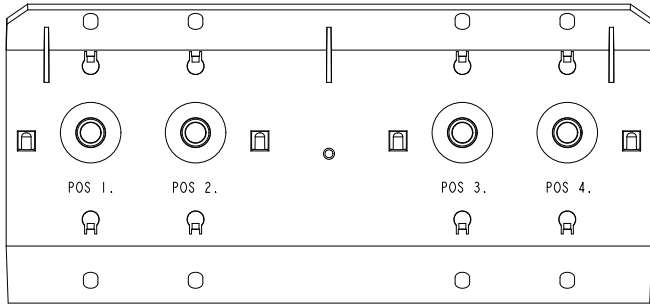


ITEM	PART NUMBER	DESCRIPTION	QTY
1	018566-001	GROMMET, STANDARD	4
2	020507-008	COLUMN SUPPORT	1
3	020513-004	BASE	1
4	026295	COVER , ELEC	1
5	026309	RELAY PTC 103N0011-230V	1
6	026996	HAIRPIN, COTTER	4
7	027040-049	CONTROL, COLD	1
8	027484-004	WASHER, COMPRESSOR MTG FLAT	4
9	030325-001	POWER INLET IEC320	1
10	031529-003	PLATE,NUT	1
11	031530-004	COMPRESSOR ASSY TL2.5F 220V	1
12	031903-002	BRACKET, IEC POWER INLET	1
13	031903-004	FINGER PLATE	1
14	034050-002	HANDLE, PLASTIC COOLER	1
15	034343-002	DRIER	1
16	034513-001	BRACKET, BULKHEAD	1
17	034632-001	SHELF, METAL-PIPV	1
18	034665-001	CONDENSER, STATIC	1
19	034722-001	FOOT, ADJUSTABLE	4

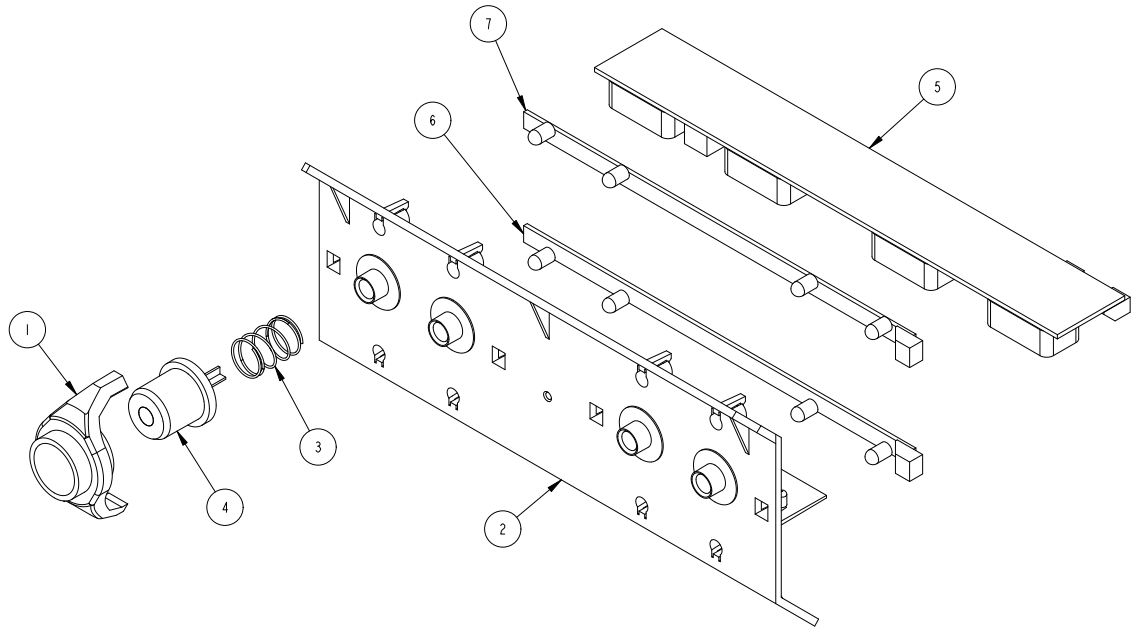
TITLE:	CHASSIS (PIPVKY)		
DATE:	20JUL16	SHEET:	-
DRAWN BY:	JFK	ECN:	-

MODEL:	COOK & COLD			
POSITION:	1	2	3	4
TYPE:	COOK	-	-	COLD
BUTTON ASSY	037304P002	-	-	037304P001
RETURN SPRING	034649-001	-	-	034649-001
LIGHT PIPE	034616-001	-	-	034616-001

ITEM	PART NUMBER	DESCRIPTION	QTY
1	034616-001	LIGHT PIPE	-
2	034617-001	SWITCH MOUNTING BRACKET	1
3	034649-001	PUSH BUTTON, RETURN SPRING	-
4	037304	BUTTON ASSY, PIPV	-
5	037372-001	MAIN PCB, PIPV	1
6	037373-001	LED PCB #1, PIPV	1
7	037374-001	LED PCB #2, PIPV	1



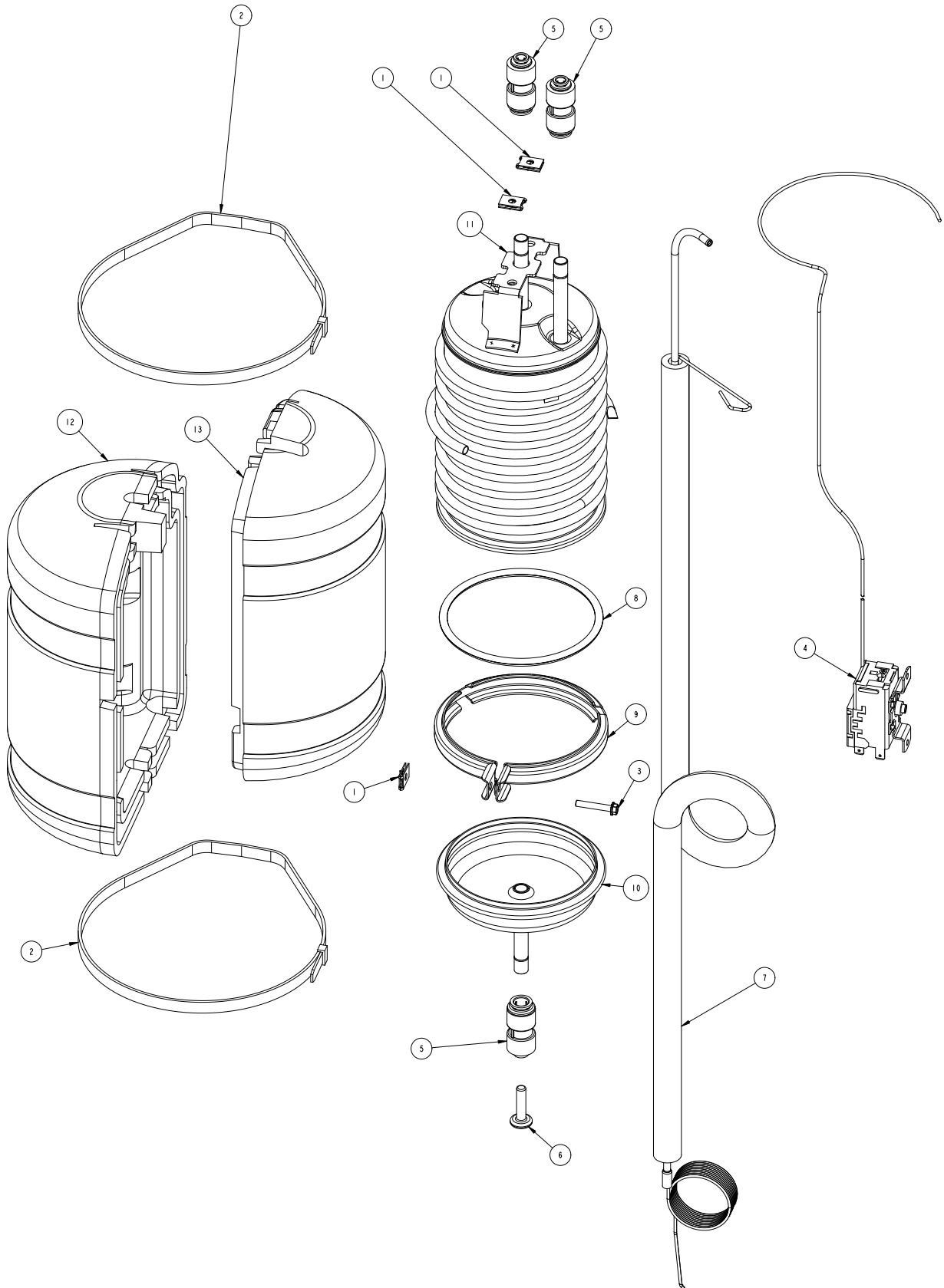
FRONT VIEW  
SCALE 1:1



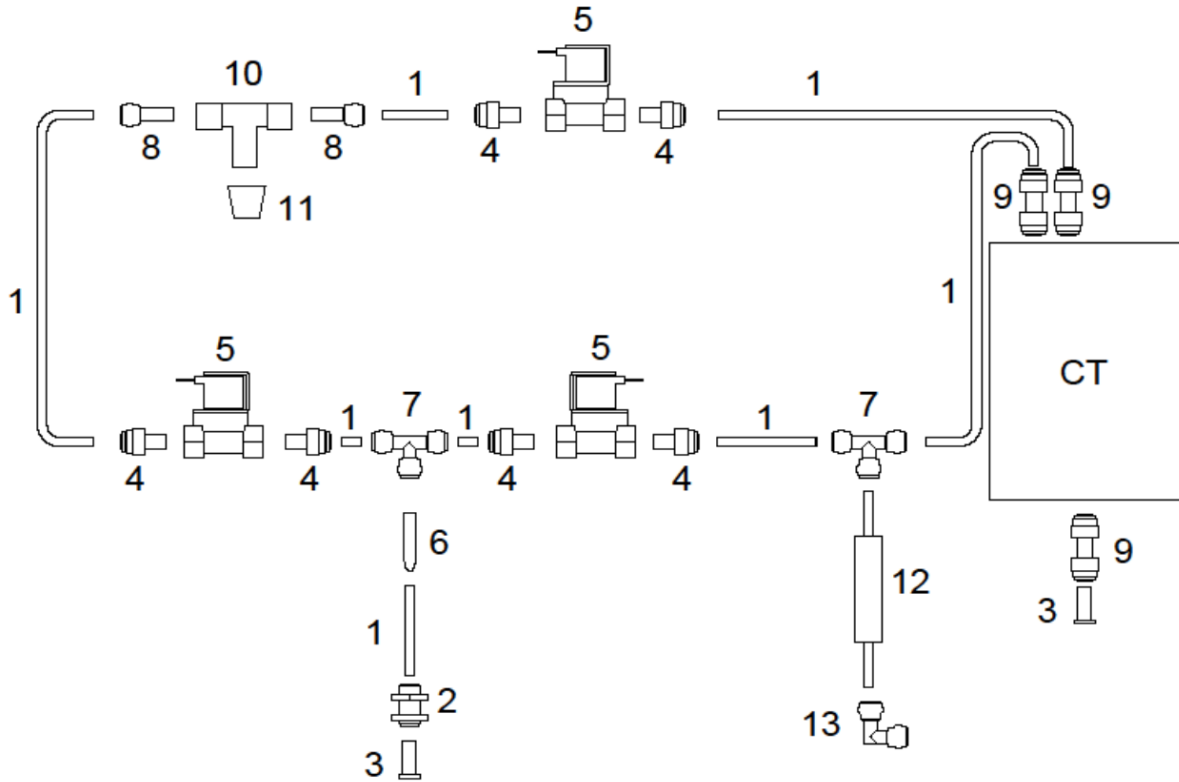
TITLE:	CONTROL PANEL (PIPVKY)		
DATE:	20JUL16	SHEET:	-
DRAWN BY:	JFK	ECN:	-

TITLE:	COOLING TANK (PIPV)		
DATE:	20JUL16	SHEET:	-
DRAWN BY:	JFK	ECN:	-

ITEM	PART NUMBER	DESCRIPTION	QTY
1	020938-008	SPEEDNUT	3
2	024070-003	CABLE TIE	2
3	026642-043	SCREW, HEX	1
4	027040-049	COLD CONTROL	1
5	028668-001	FTG, JG. REDUCING UNION	3
6	030569-001	PLUG, 1/4 OD	1
7	030749-009	HEAT EXCHANGER ASSY	1
8	030858-402	O RING EP 111/7/4 BLK	1
9	032729-002	CLAMP, STAMPED V-COUPLING	1
10	034507-004	CLG TANK, BASE	1
11	034508-101	CLG TANK & EVAPORATOR ASSY	1
12	034512-001	INSULATION, RH	1
13	034512-002	INSULATION, LH	1



## Water Circuit



#	DESCRIPTION	QTY	STANDARD	ALTERNATIVE
1	1/4 LLDPE TUBE	-	029959-002	-
2	FTG BULKHEAD UNION 1/4	1	037845-001	028913-002
3	FTG PLUG, 1/4	2	037849-001	030569-001
4	FTG 1/4 X 1/8 BSPT	6	037591-001	-
5	SOLENOID VALVE 230V	3	037592-011	-
6	STRAINER, IN-LINE	1	033264-002	-
7	UNION TEE 1/4	2	037841-002	029199-003
8	REDUCER 3/8 STEM X 1/4 TUBE	2	037848-001	030552-101
9	FTG, REDUCER UNION 3/8 TUBE X 1/4 TUBE	3	028668-001	-
10	WATER OUTLET ASSY	1	034650P001	-
11	SPOUT, WATER OUTLET	1	034625-002	-
12	ASSY (1/4), RELIEF VALVE	1	034759P102	034759P002
13	FTG, ELBOW 1/4	1	037842-001	028481-001