

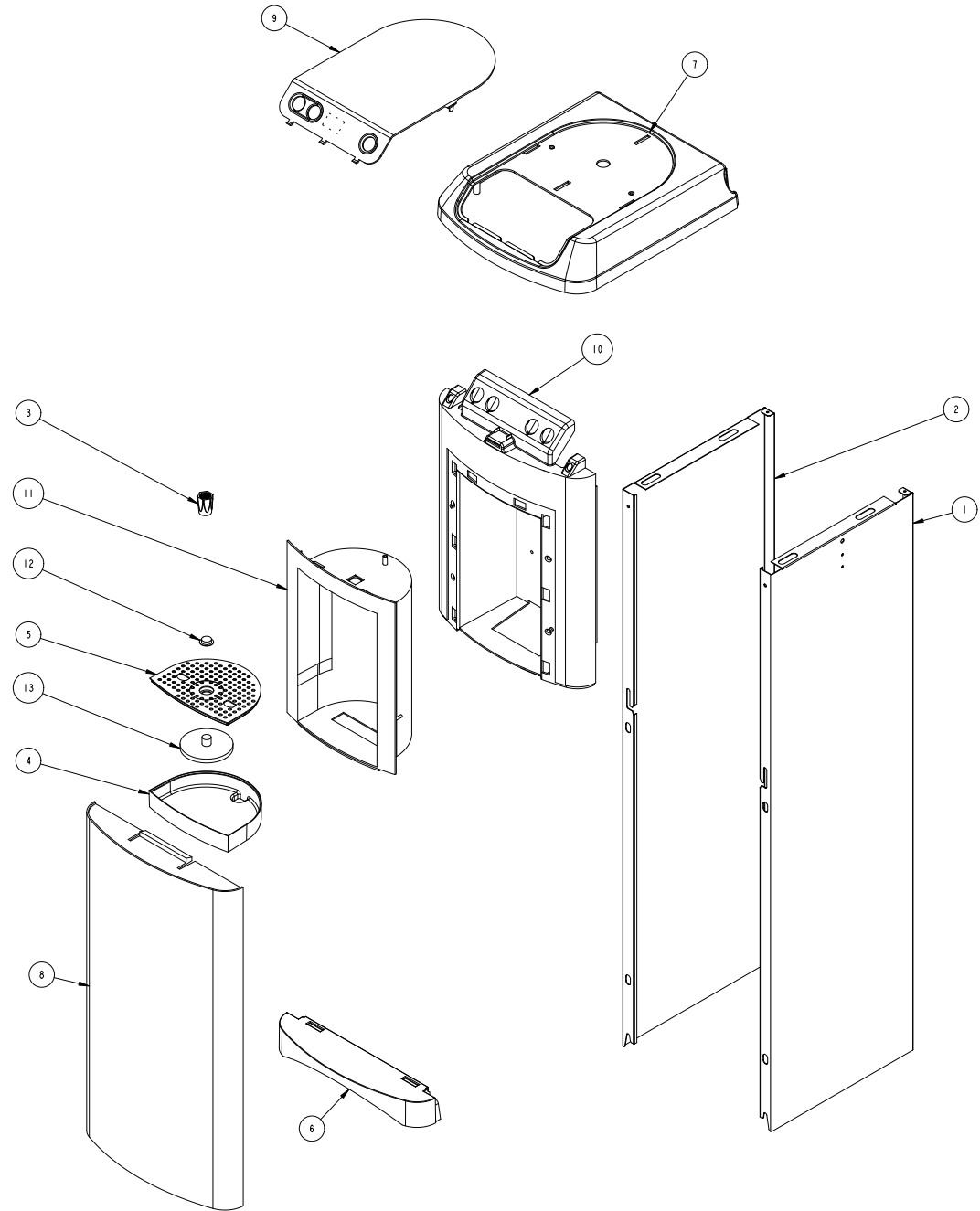


Illustrated Parts Breakdown (IPB)

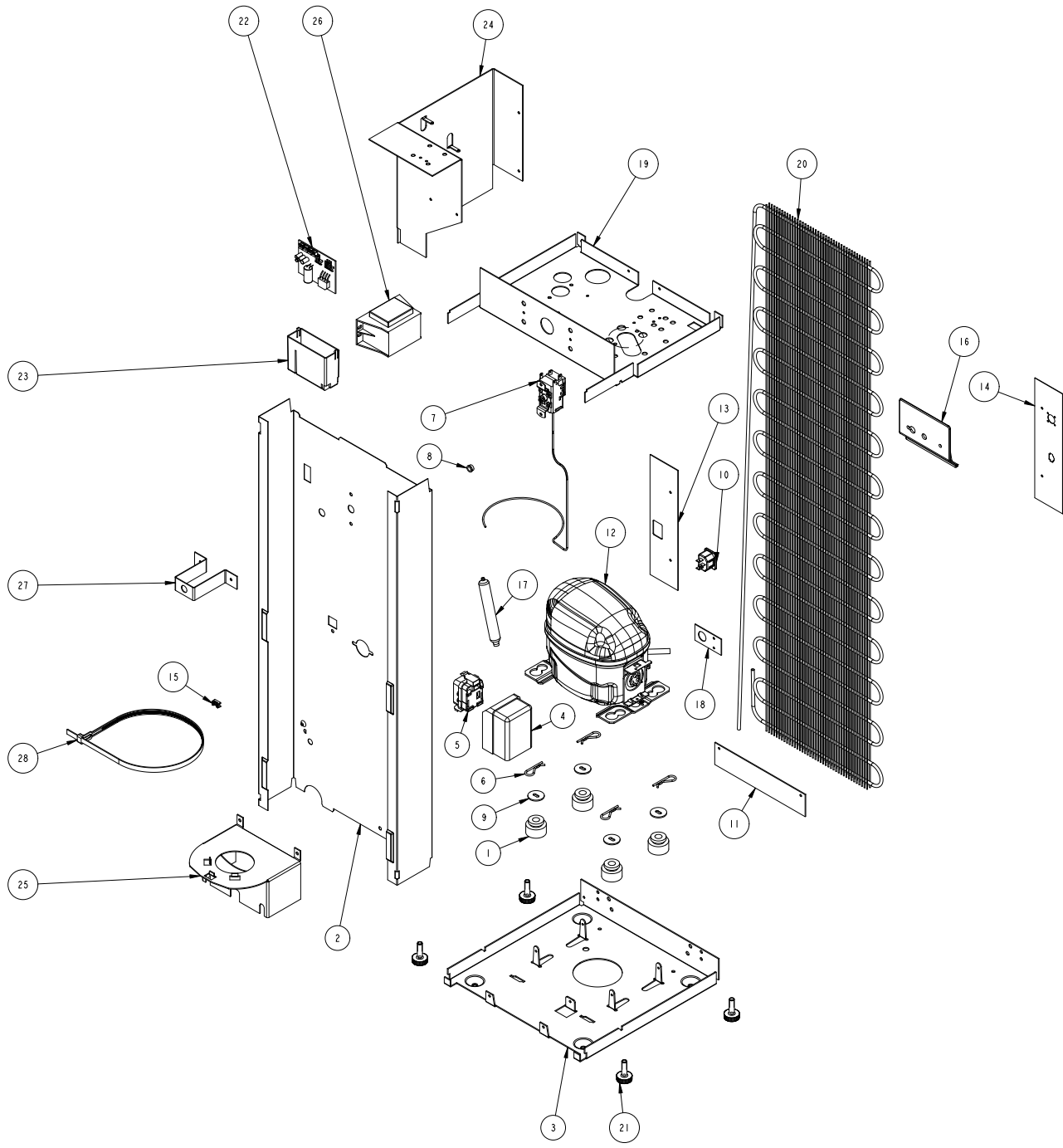
P1PVECKY

- Sheet 1. Cabinetry
- Sheet 2. Chassis
- Sheet 3. Control Panel
- Sheet 4. Cold/Carbo Tank
- Sheet 5. Water Circuit

ITEM	DESCRIPTION	COLOURS		
		SILVER	CREAM	GREY
1	SIDE PANEL, RH	034707-001	034707-001	034707-001
2	SIDE PANEL, LH	034708-001	034708-001	034708-001
3	SPOUT	034625-002	034625-002	034625-002
4	DRIP TRAY	034626-001	034626-001	034626-001
5	DRIP TRAY GRILLE	034668-001	034627-002	034627-003
6	TRIM, BASE	034629-001	034629-001	034629-001
7	TOP	034634-001	034634-001	034634-001
8	DOOR	034636-001	034637-002	034637-003
9	FASCIA INSERT	034628-101	034628-103	034628-104
10	FRONT PANEL	034639-001	034642-002	034642-003
11	INSERT, FRONT PANEL	034643-001	034643-001	034643-001
12	FLOAT INDICATOR - A	040090-001	040090-001	040090-001
13	FLOAT INDICATOR - B	040090-002	040090-002	040090-002



TITLE:	CABINETY (PIPVHS & PIPVECK)		
DATE:	21JUL16	SHEET:	-
DRAWN BY:	JFK	ECN:	-

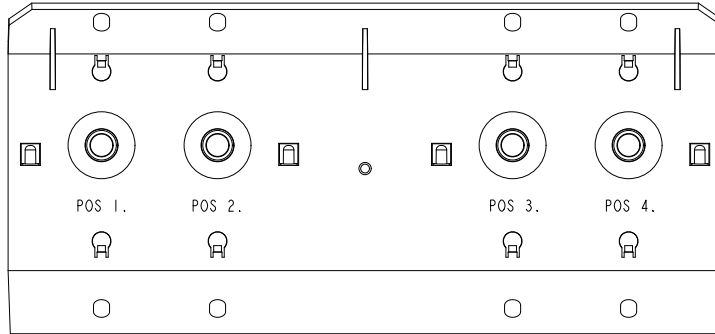


ITEM	PART NUMBER	DESCRIPTION	QTY
1	018566-001	GROMMET, STANDARD	4
2	020507-008	COLUMN SUPPORT	1
3	020513-004	BASE	1
4	026295	COVER , ELEC	1
5	026309	RELAY PTC 103N0011-230V	1
6	026996	HAIRPIN, COTTER	4
7	027040-049	CONTROL, COLD	1
8	027189-007	BUSHING, SNAP	1
9	027484-004	WASHER, COMPRESSOR MTG FLAT	4
10	030325-001	POWER INLET IEC320	1
11	031529-003	PLATE,NUT	1
12	031530-004	COMPRESSOR ASSY TL2.5F 220V	1
13	031903-002	BRACKET, IEC POWER INLET	1
14	031903-005	FINGER PLATE, KALIX CARBO	1
15	032460-001	FITTING MOUNTING	1
16	034050-002	HANDLE, PLASTIC COOLER	1
17	034343-002	DRIER	1
18	034513-001	BRACKET, BULKHEAD	1
19	034632-001	SHELF, METAL-PIPV	1
20	034665-001	CONDENSER, STATIC	1
21	034722-001	FOOT, ADJUSTABLE	4
22	034954-002	PCB, ELECTRONIC CO2	1
23	034955-001	COVER, ELECTRONICS	1
24	034958-001	BRACKET CARBO	1
25	034963-001	CYLINDER BASE	1
26	034964-001	TRANSFORMER 230V/24V 1,81A	1
27	037102-001	SAFETY VALVE BRACKET	1
28	040122-001	CABLE TIE	1

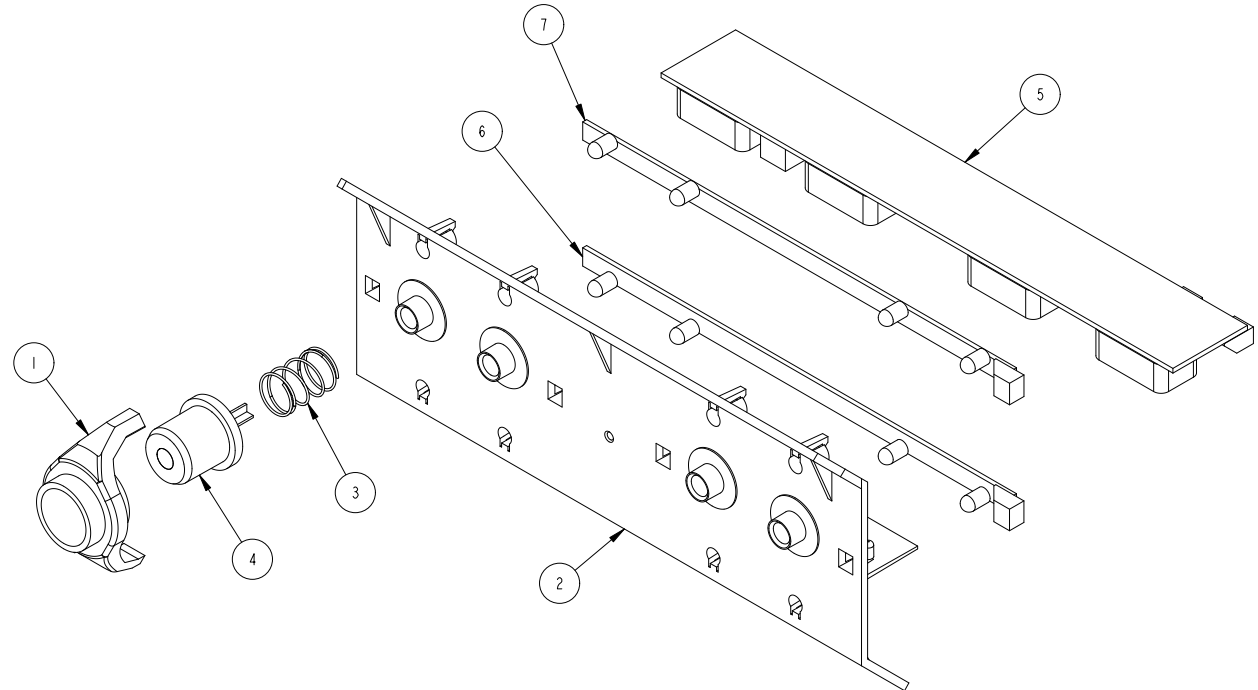
TITLE:	CHASSIS (PIPVECY)		
DATE:	04AUG16	SHEET:	-
DRAWN BY:	JFK	ECN:	-

MODEL:	CARBO, COOK & COLD			
POSITION:	1	2	3	4
TYPE:	COOK	CARBO	-	COLD
BUTTON ASSY	037304P002	037304P004	-	037304P001
RETURN SPRING	034649-001	034649-001	-	034649-001
LIGHT PIPE	034616-001	034616-001	-	034616-001

ITEM	PART NUMBER	DESCRIPTION	QTY
1	034616-001	LIGHT PIPE	-
2	034617-001	SWITCH MOUNTING BRACKET	1
3	034649-001	PUSH BUTTON, RETURN SPRING	-
4	037304	BUTTON ASSY, PIPV	-
5	037372-004	MAIN PCB, PIPV	1
6	037373-004	LED PCB #1, PIPV	1
7	037374-004	LED PCB #2, PIPV	1



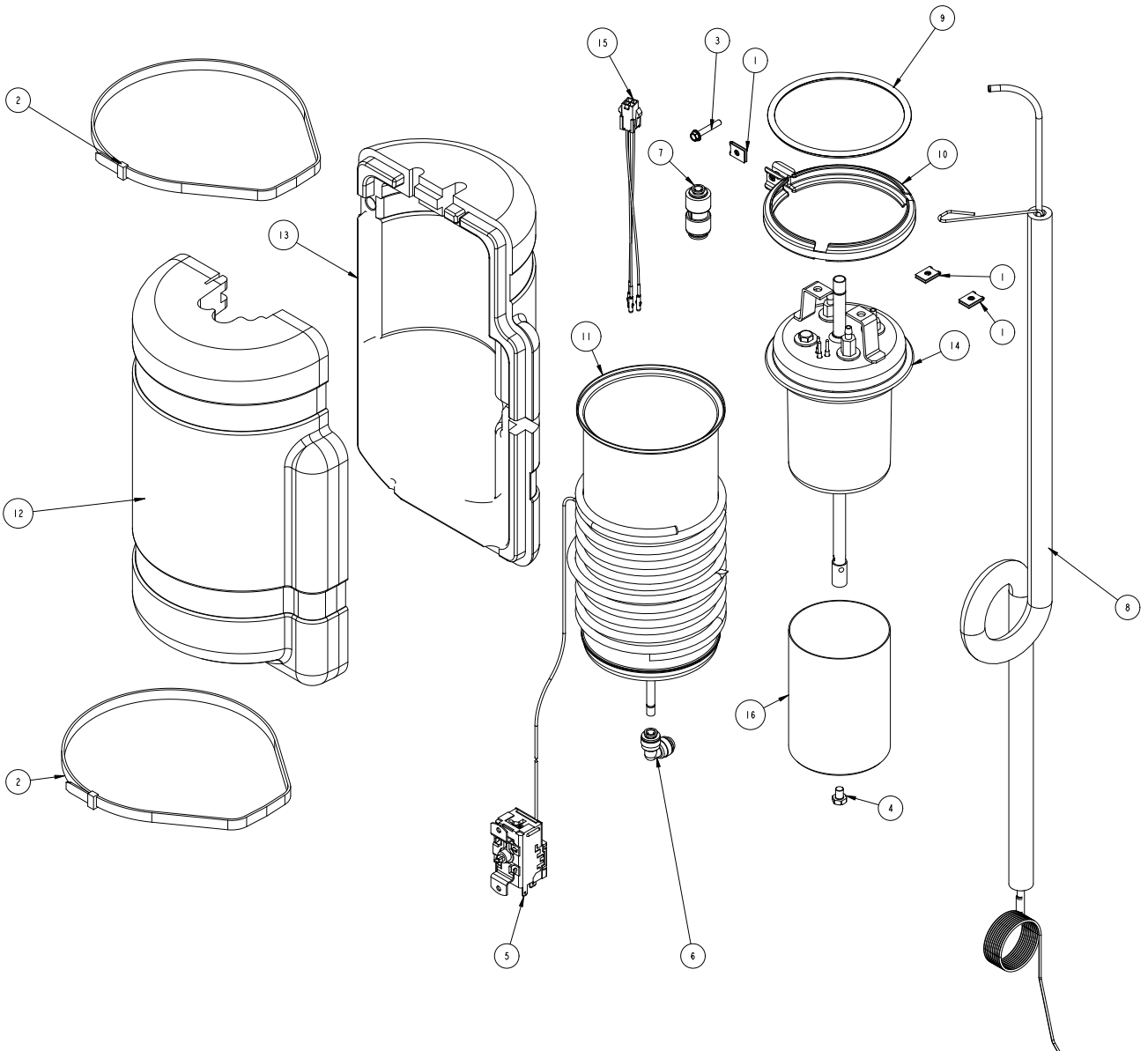
FRONT VIEW
SCALE 1:1



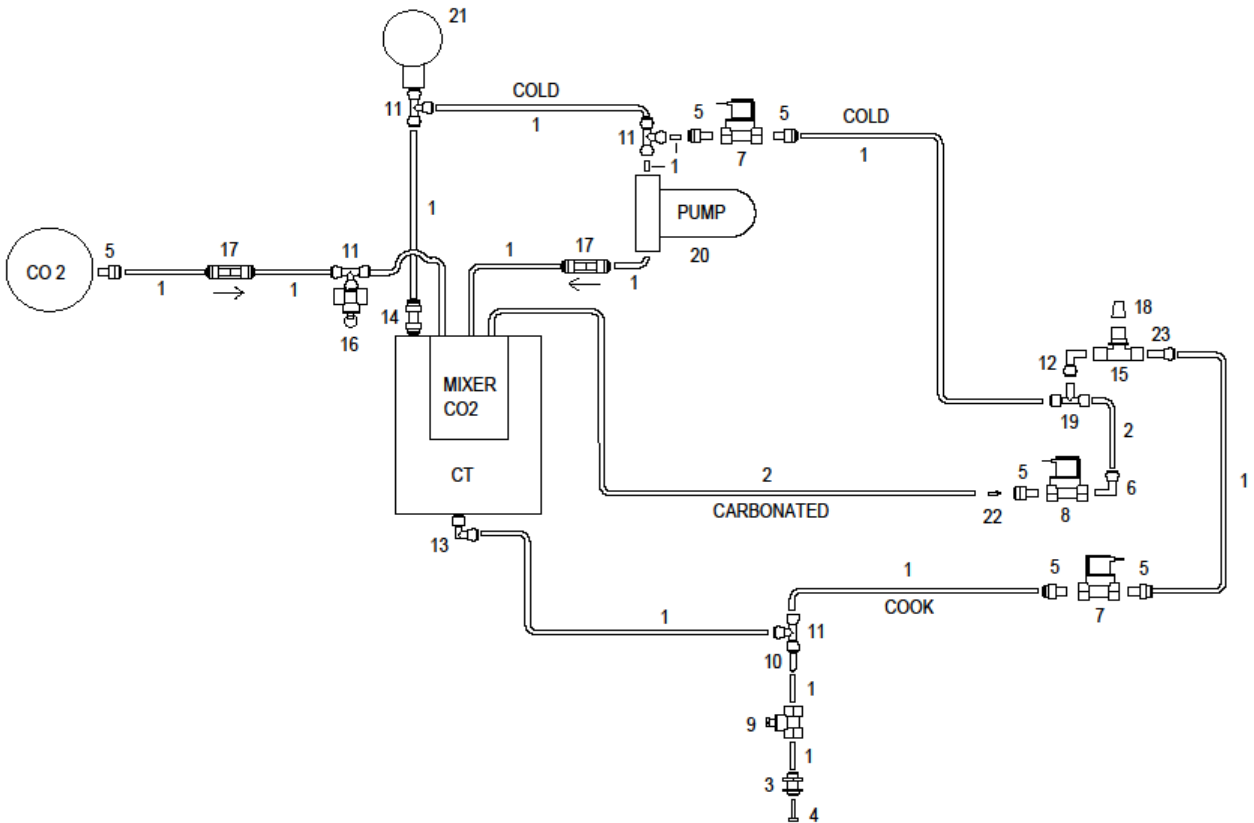
TITLE:	CONTROL PANEL (PIPVECKY)		
DATE:	20JUL16	SHEET:	-
DRAWN BY:	JFK	ECN:	-

TITLE:	COOLING TANK (PIPVEC)		
DATE:	20JUL16	SHEET:	-
DRAWN BY:	JFK	ECN:	-

ITEM	PART NUMBER	DESCRIPTION	QTY
1	020938-008	SPEEDNUT	3
2	024070-003	CABLE TIE	2
3	026642-043	SCREW, HEX	1
4	026670-046	SCREW, HEX M/C	1
5	027040-049	COLD CONTROL	1
6	028481-001	FTG, JG UNION ELBOW 0.25	1
7	028668-001	FTG, JG, REDUCING UNION	1
8	030749-008	HEAT EXCHANGE ASSY	1
9	030858-402	O RING EP 11/7/4 BLK	1
10	032729-002	CLAMP, STAMPED V-COUPLING	1
11	034508-005	CLG TANK & EVAPORATOR CO2	1
12	034965-001	INSULATION, CARBO RH	1
13	034965-002	INSULATION, CARBO LH	1
14	034968-002	CO2 MIXER ASSY	1
15	034975-005	WIRING HARNESS	1
16	037018-001	BAFFLE, CO2	1



Water Circuit



#	DESCRIPTION	QTY	STANDARD	ALTERNATIVE
1	1/4 LLDPE TUBE - BLUE	-	029959-002	-
2	1/4 LLDPE TUBE - WHITE	-	029959-006	-
3	FTG BULKHEAD UNION 1/4	1	037845-001	028913-002
4	FTG PLUG, 1/4	1	037849-001	030569-001
5	FTG 1/4 X 1/8 BSPT	6	037591-001	-
6	FTG ELBOW 1/4 X 1/8 MBSPT	1	037773-001	-
7	SOLENOID VALVE 230V	2	037592-011	-
8	SOLENOID VALVE 24V	1	037592-013	-
9	PRESSURE REGULATOR	1	037403-001	-
10	STRAINER, IN-LINE	1	033264-002	-
11	UNION TEE 1/4	4	037841-002	029199-003
12	PLUGIN ELBOW 1/4 TUBE X 3/8 STEM	1	037846-001	029139-001
13	FTG, ELBOW 1/4	1	028481-001	037842-001
14	FTG, REDUCER UNION 3/8 TUBE X 1/4 TUBE	1	028668-001	-
15	WATER OUTLET ASSY	1	034650P003	-
16	VALVE SAFETY	1	034949P001	034949P002
17	NON-RETURN VALVE, 1/4	2	034957-001	037775-001
18	SPOUT, WATER OUTLET	1	034625-002	-
19	FTG, 1/4 TUBE X 2 + 1/4 STEM	1	037774-001	-
20	PUMP 24V	1	037369-005	-
21	EXPANSION TANK 0,3L ASSY	1	037029P001	-
22	FLOW RESTRICTOR, FRCT60 BLUE	1	031728-006	-
23	REDUCER 3/8 STEM X 1/4 TUBE	1	037848-001	030552-101