

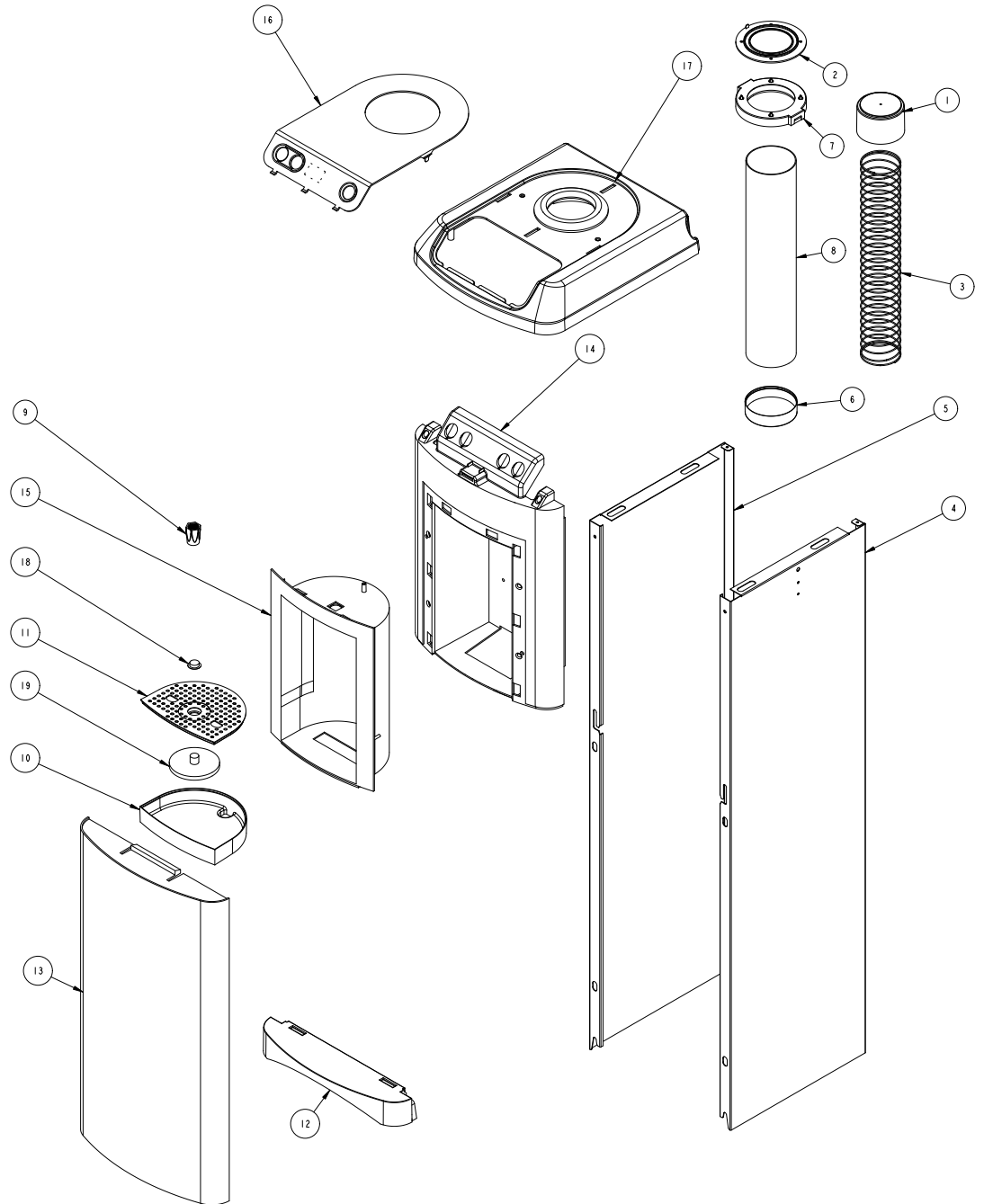


Illustrated Parts Breakdown (IPB)

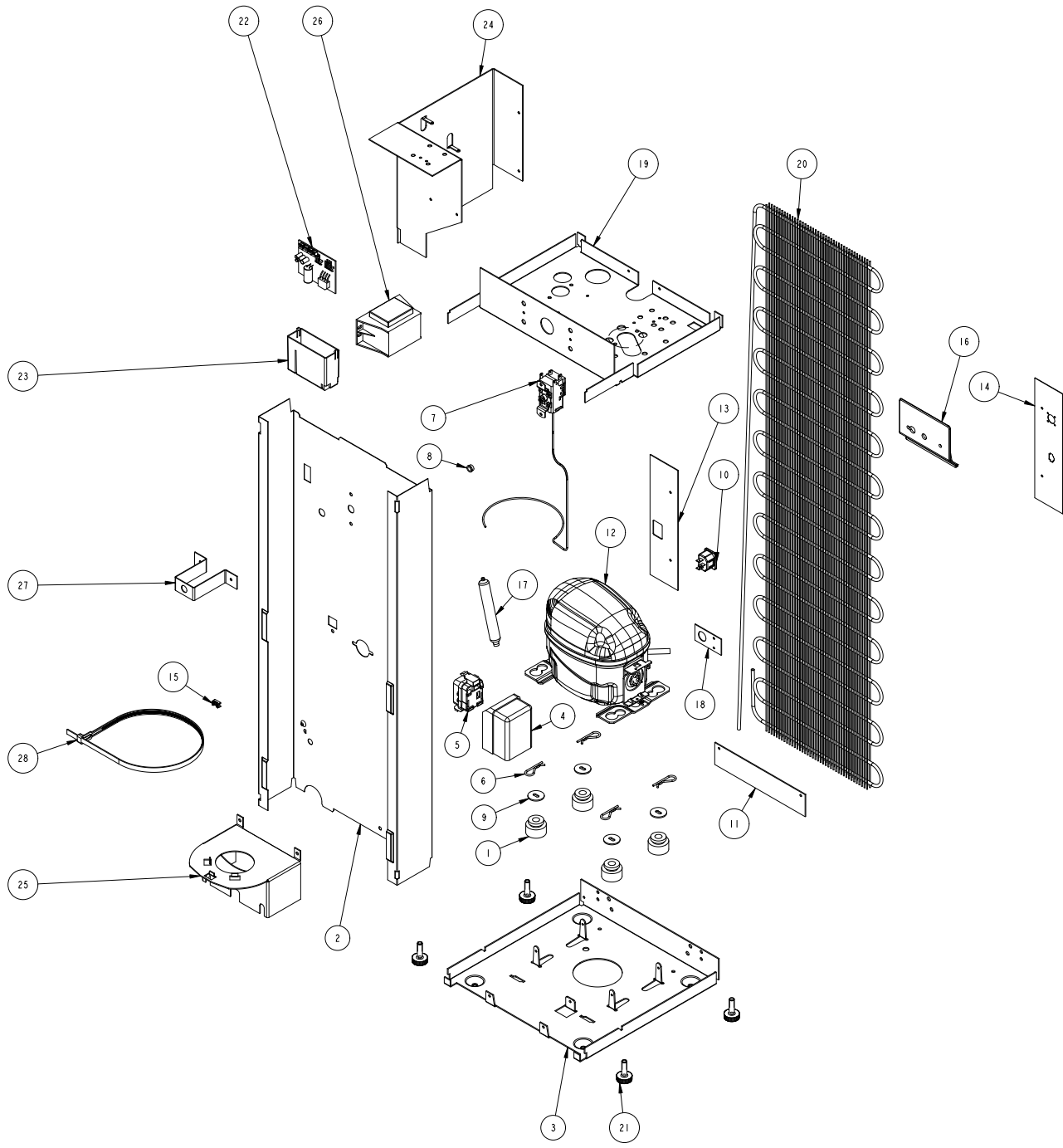
P1PVECCDKY

- Sheet 1. Cabinetry
- Sheet 2. Chassis
- Sheet 3. Control Panel
- Sheet 4. Cold/Carbo Tank
- Sheet 5. Water Circuit

| ITEM | DESCRIPTION | COLOURS | | |
|------|-----------------------|------------|-------------------------------------|------------|
| | | SILVER | CREAM | GREY |
| 1 | PISTON, CUP DISPENSER | 034317-001 | 034317-001 | 034317-001 |
| 2 | GASKET, CUP DISPENSER | 034322-001 | 034322-001 | 034322-001 |
| 3 | SPRING, CUP DISPENSER | 034323-001 | 034323-001 </td <td>034323-001</td> | 034323-001 |
| 4 | SIDE PANEL, RH | 034707-001 | 034707-001 | 034707-001 |
| 5 | SIDE PANEL, LH | 034708-001 | 034708-001 | 034708-001 |
| 6 | BASE, CUP DISPENSER | 034622-001 | 034622-001 | 034622-001 |
| 7 | TOP, CUP DISPENSER | 034623-001 | 034623-001 | 034623-001 |
| 8 | TUBE, CUP DISPENSER | 034624-001 | 034624-001 | 034624-001 |
| 9 | SPOUT | 034625-002 | 034625-002 | 034625-002 |
| 10 | DRIP TRAY | 034626-001 | 034626-001 | 034626-001 |
| 11 | DRIP TRAY GRILLE | 034668-001 | 034627-002 | 034627-003 |
| 12 | TRIM, BASE | 034629-001 | 034629-001 | 034629-001 |
| 13 | DOOR | 034636-001 | 034637-002 | 034637-003 |
| 14 | FRONT PANEL | 034639-001 | 034642-002 | 034642-003 |
| 15 | INSERT, FRONT PANEL | 034643-001 | 034643-001 | 034643-001 |
| 16 | FASCIA INSERT | 034645-101 | 034645-103 | 034645-104 |
| 17 | TOP | 034651-001 | 034651-001 | 034651-001 |
| 18 | FLOAT INDICATOR - A | 040090-001 | 040090-001 | 040090-001 |
| 19 | FLOAT INDICATOR - B | 040090-002 | 040090-002 | 040090-002 |



| | | | |
|-----------|--------------------------------|--------|---|
| TITLE: | CABINERY (PIPCDHS & PIPVECCDK) | | |
| DATE: | 21JUL16 | SHEET: | - |
| DRAWN BY: | JFK | ECN: | - |

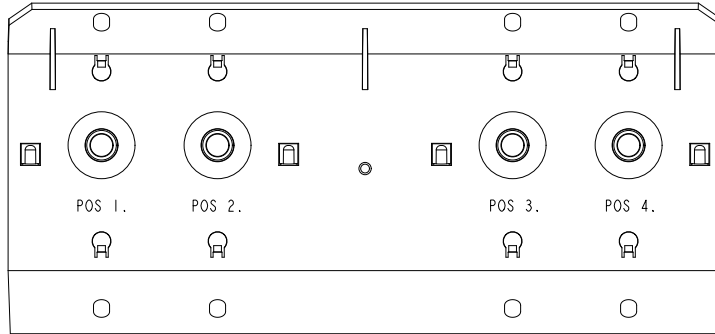


| ITEM | PART NUMBER | DESCRIPTION | QTY |
|------|-------------|-----------------------------|-----|
| 1 | 018566-001 | GROMMET, STANDARD | 4 |
| 2 | 020507-008 | COLUMN SUPPORT | 1 |
| 3 | 020513-004 | BASE | 1 |
| 4 | 026295 | COVER , ELEC | 1 |
| 5 | 026309 | RELAY PTC 103N0011-230V | 1 |
| 6 | 026996 | HAIRPIN, COTTER | 4 |
| 7 | 027040-049 | CONTROL, COLD | 1 |
| 8 | 027189-007 | BUSHING, SNAP | 1 |
| 9 | 027484-004 | WASHER, COMPRESSOR MTG FLAT | 4 |
| 10 | 030325-001 | POWER INLET IEC320 | 1 |
| 11 | 031529-003 | PLATE,NUT | 1 |
| 12 | 031530-004 | COMPRESSOR ASSY TL2.5F 220V | 1 |
| 13 | 031903-002 | BRACKET, IEC POWER INLET | 1 |
| 14 | 031903-005 | FINGER PLATE, KALIX CARBO | 1 |
| 15 | 032460-001 | FITTING MOUNTING | 1 |
| 16 | 034050-002 | HANDLE, PLASTIC COOLER | 1 |
| 17 | 034343-002 | DRIER | 1 |
| 18 | 034513-001 | BRACKET, BULKHEAD | 1 |
| 19 | 034632-001 | SHELF, METAL-PIPV | 1 |
| 20 | 034665-001 | CONDENSER, STATIC | 1 |
| 21 | 034722-001 | FOOT, ADJUSTABLE | 4 |
| 22 | 034954-002 | PCB, ELECTRONIC CO2 | 1 |
| 23 | 034955-001 | COVER, ELECTRONICS | 1 |
| 24 | 034958-001 | BRACKET CARBO | 1 |
| 25 | 034963-001 | CYLINDER BASE | 1 |
| 26 | 034964-001 | TRANSFORMER 230V/24V 1,81A | 1 |
| 27 | 037102-001 | SAFETY VALVE BRACKET | 1 |
| 28 | 040122-001 | CABLE TIE | 1 |

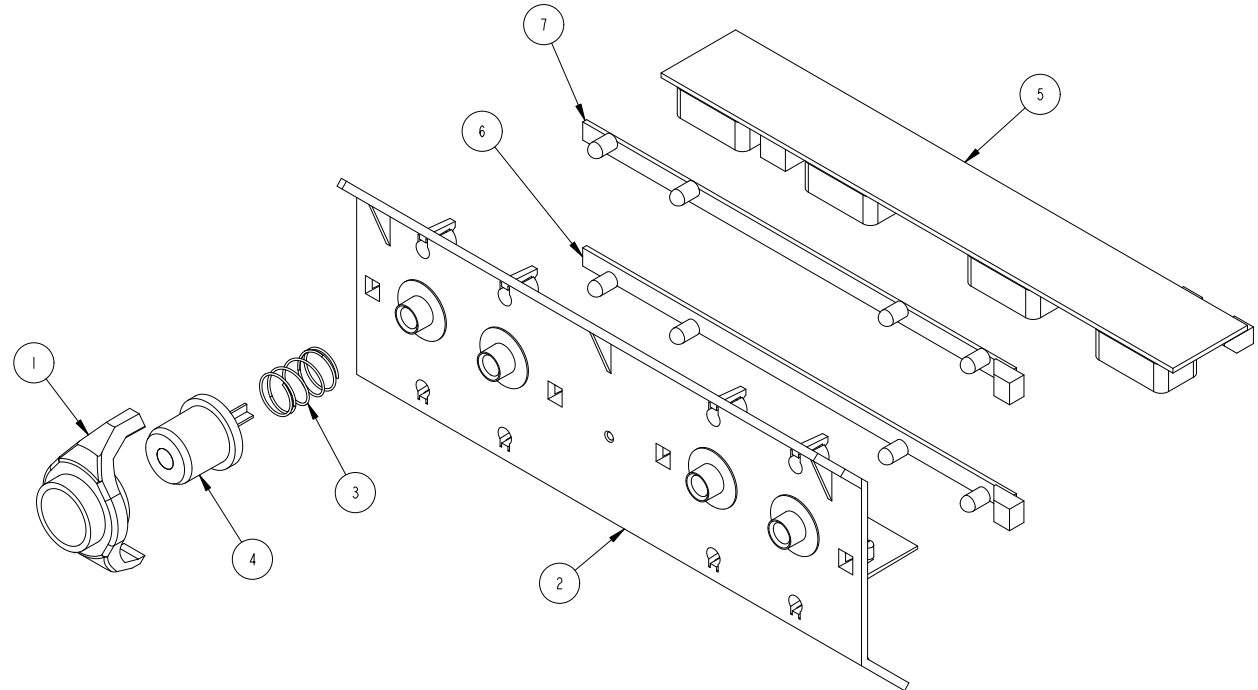
| | | | |
|-----------|-------------------|--------|---|
| TITLE: | CHASSIS (PIPVECY) | | |
| DATE: | 04AUG16 | SHEET: | - |
| DRAWN BY: | JFK | ECN: | - |

| MODEL: | CARBO, COOK & COLD | | | |
|---------------|--------------------|------------|---|------------|
| POSITION: | 1 | 2 | 3 | 4 |
| TYPE: | COOK | CARBO | - | COLD |
| BUTTON ASSY | 037304P002 | 037304P004 | - | 037304P001 |
| RETURN SPRING | 034649-001 | 034649-001 | - | 034649-001 |
| LIGHT PIPE | 034616-001 | 034616-001 | - | 034616-001 |

| ITEM | PART NUMBER | DESCRIPTION | QTY |
|------|-------------|----------------------------|-----|
| 1 | 034616-001 | LIGHT PIPE | - |
| 2 | 034617-001 | SWITCH MOUNTING BRACKET | 1 |
| 3 | 034649-001 | PUSH BUTTON, RETURN SPRING | - |
| 4 | 037304 | BUTTON ASSY, PIPV | - |
| 5 | 037372-004 | MAIN PCB, PIPV | 1 |
| 6 | 037373-004 | LED PCB #1, PIPV | 1 |
| 7 | 037374-004 | LED PCB #2, PIPV | 1 |



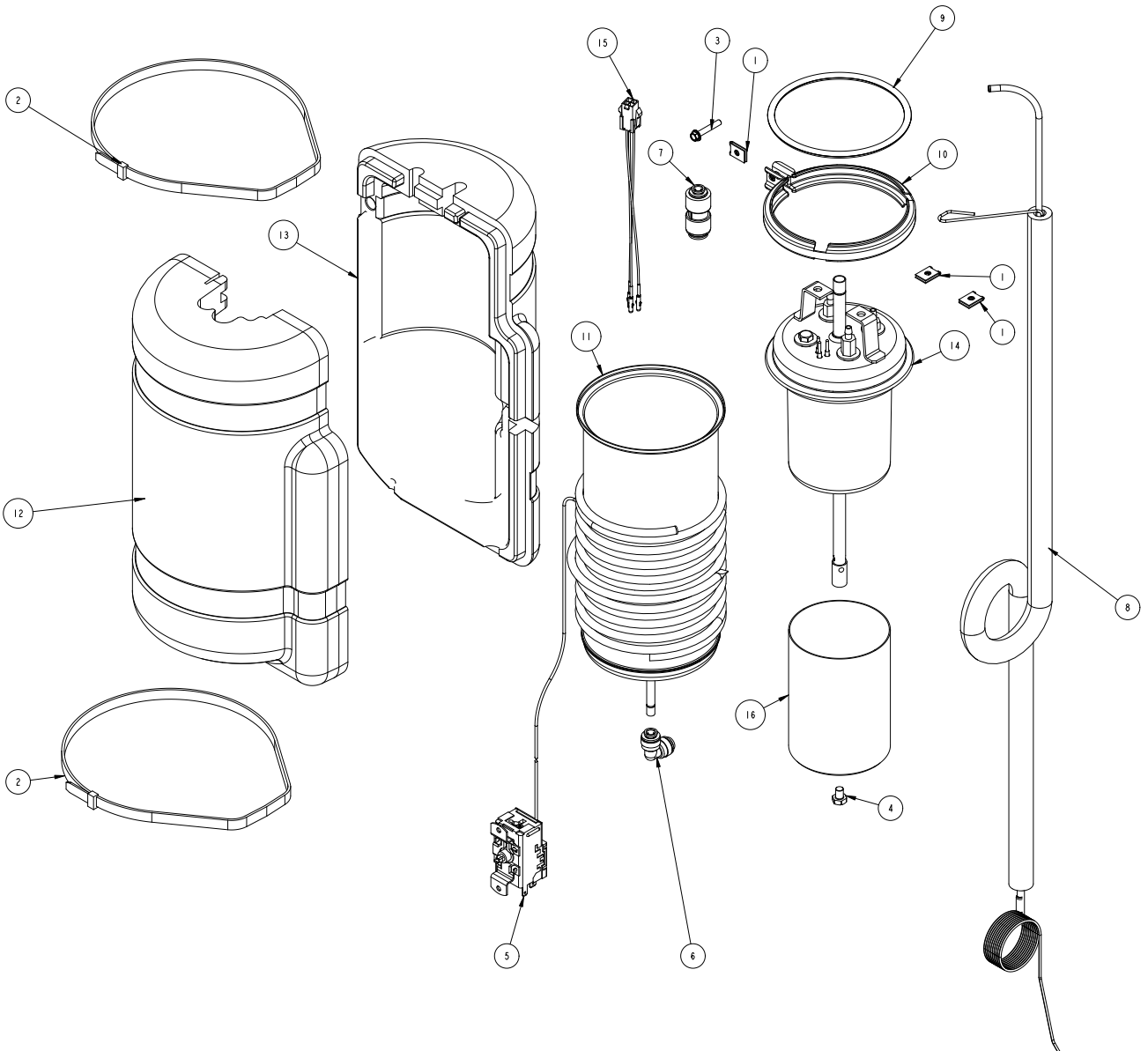
FRONT VIEW
SCALE 1:1



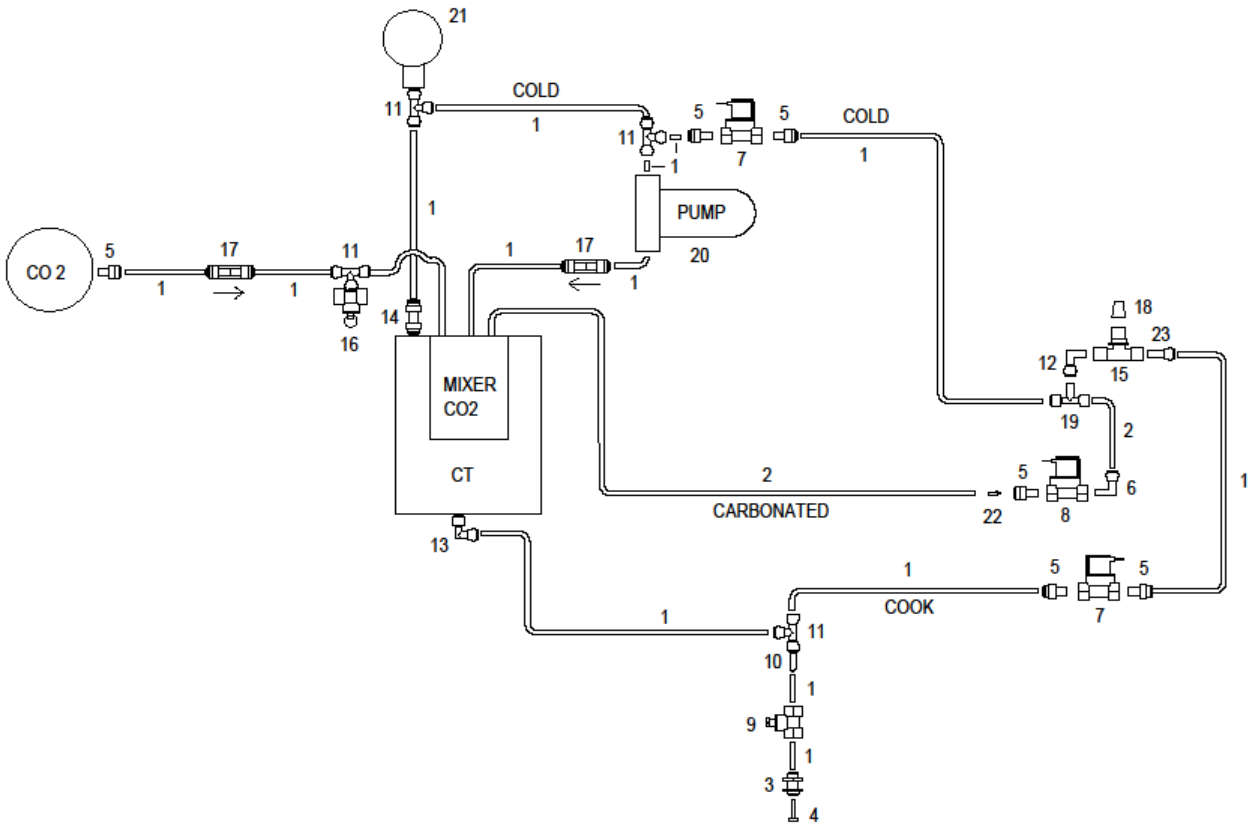
| | | | |
|-----------|--------------------------|--------|---|
| TITLE: | CONTROL PANEL (PIPVECKY) | | |
| DATE: | 20JUL16 | SHEET: | - |
| DRAWN BY: | JFK | ECN: | - |

| | | | |
|-----------|-----------------------|--------|---|
| TITLE: | COOLING TANK (PIPVEC) | | |
| DATE: | 20JUL16 | SHEET: | - |
| DRAWN BY: | JFK | ECN: | - |

| ITEM | PART NUMBER | DESCRIPTION | QTY |
|------|-------------|---------------------------|-----|
| 1 | 020938-008 | SPEEDNUT | 3 |
| 2 | 024070-003 | CABLE TIE | 2 |
| 3 | 026642-043 | SCREW, HEX | 1 |
| 4 | 026670-046 | SCREW, HEX M/C | 1 |
| 5 | 027040-049 | COLD CONTROL | 1 |
| 6 | 028481-001 | FTG, JG UNION ELBOW 0.25 | 1 |
| 7 | 028668-001 | FTG, JG, REDUCING UNION | 1 |
| 8 | 030749-008 | HEAT EXCHANGE ASSY | 1 |
| 9 | 030858-402 | O RING EP 11/7/4 BLK | 1 |
| 10 | 032729-002 | CLAMP, STAMPED V-COUPLING | 1 |
| 11 | 034508-005 | CLG TANK & EVAPORATOR CO2 | 1 |
| 12 | 034965-001 | INSULATION, CARBO RH | 1 |
| 13 | 034965-002 | INSULATION, CARBO LH | 1 |
| 14 | 034968-002 | CO2 MIXER ASSY | 1 |
| 15 | 034975-005 | WIRING HARNESS | 1 |
| 16 | 037018-001 | BAFFLE, CO2 | 1 |



Water Circuit



| # | DESCRIPTION | QTY | STANDARD | ALTERNATIVE |
|----|--|-----|------------|-------------|
| 1 | 1/4 LLDPE TUBE - BLUE | - | 029959-002 | - |
| 2 | 1/4 LLDPE TUBE - WHITE | - | 029959-006 | - |
| 3 | FTG BULKHEAD UNION 1/4 | 1 | 037845-001 | 028913-002 |
| 4 | FTG PLUG, 1/4 | 1 | 037849-001 | 030569-001 |
| 5 | FTG 1/4 X 1/8 BSPT | 6 | 037591-001 | - |
| 6 | FTG ELBOW 1/4 X 1/8 MBSPT | 1 | 037773-001 | - |
| 7 | SOLENOID VALVE 230V | 2 | 037592-011 | - |
| 8 | SOLENOID VALVE 24V | 1 | 037592-013 | - |
| 9 | PRESSURE REGULATOR | 1 | 037403-001 | - |
| 10 | STRAINER, IN-LINE | 1 | 033264-002 | - |
| 11 | UNION TEE 1/4 | 4 | 037841-002 | 029199-003 |
| 12 | PLUGIN ELBOW 1/4 TUBE X 3/8 STEM | 1 | 037846-001 | 029139-001 |
| 13 | FTG, ELBOW 1/4 | 1 | 028481-001 | 037842-001 |
| 14 | FTG, REDUCER UNION 3/8 TUBE X 1/4 TUBE | 1 | 028668-001 | - |
| 15 | WATER OUTLET ASSY | 1 | 034650P003 | - |
| 16 | VALVE SAFETY | 1 | 034949P001 | 034949P002 |
| 17 | NON-RETURN VALVE, 1/4 | 2 | 034957-001 | 037775-001 |
| 18 | SPOUT, WATER OUTLET | 1 | 034625-002 | - |
| 19 | FTG, 1/4 TUBE X 2 + 1/4 STEM | 1 | 037774-001 | - |
| 20 | PUMP 24V | 1 | 037369-005 | - |
| 21 | EXPANSION TANK 0,3L ASSY | 1 | 037029P001 | - |
| 22 | FLOW RESTRICTOR, FRCT60 BLUE | 1 | 031728-006 | - |
| 23 | REDUCER 3/8 STEM X 1/4 TUBE | 1 | 037848-001 | 030552-101 |