

Introduction:

- This kit has been developed for use with OASIS Removable Reservoir bottled water coolers.
- This kit allows you to convert your RR bottled water cooler into a POU cooler.
- It will work with B1RR, B1NR, B1AR & B1DR models of bottled water coolers

Kit Contents:

Part Number	Description	Image	Qty	Part Number	Description	Image	Qty
037183-001	COVER, POU (RR FAMILY)		1	037184-001	TRIM RING - POU RR WHI		1
031371-002	BAFFLE		1	033394-001	CAP ASSY, 6" SS RESERVO		1
028481-001	FTG, JG UNION ELBOW		1	026642-023	SCREW, HEX HD TAPPING		4
033353-002	GASKET, WTG IV RR/SR		1	029959-002	TUBING, LLDPE 1/4 OD BL		6
030099-423	INSTRUCTIONS		1	037325-001	TEMPLATE		1
033264-002	STRAINER, IN-LINE		1	031823-002	FILTER ASSY		1

Instructions:

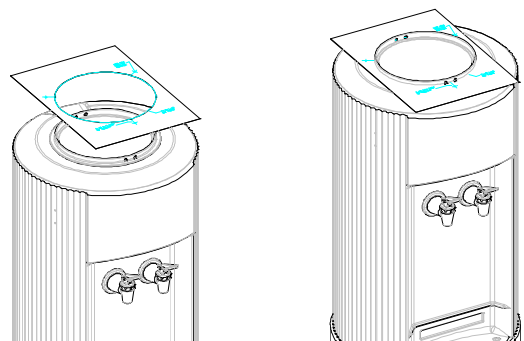
- Remove all components of conversion kit from packaging
- Ensure all components are present. (See Kit Components section)

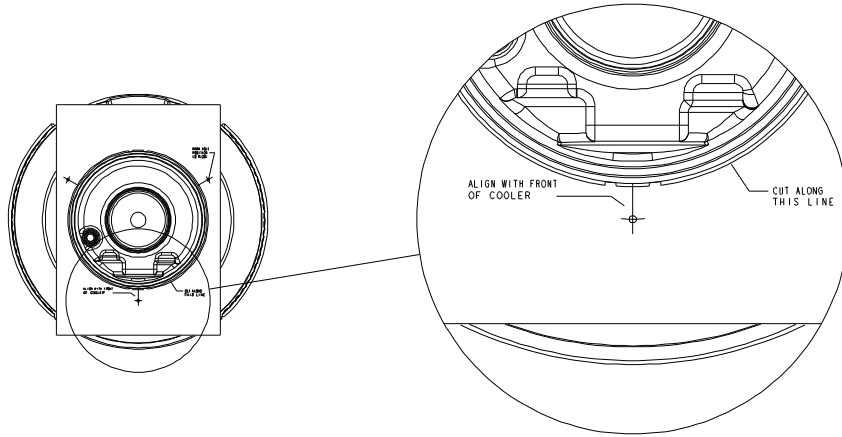
Step 1:

- Disconnect cooler from mains electrical supply
- Remove bottle from cooler
- Drain water from reservoir
- Remove "WaterGuard" from reservoir

Step 2:

- Remove template from kit
- Using scissors, following instruction on template and remove centre circle.
- Place template on reservoir
- Align template with the front of reservoir, use markings on reservoir as guide

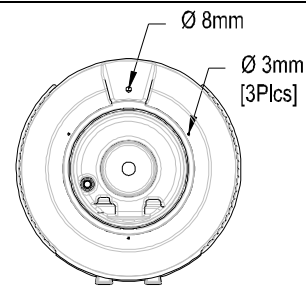


Step 3:

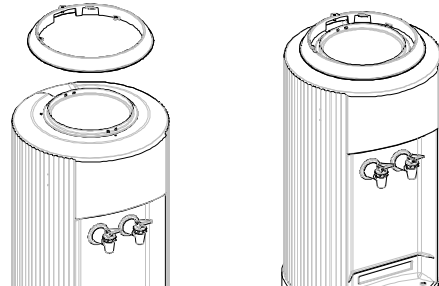
- Mark hole positions onto cabinet via template.
- Using 3mm drill-bit, drill out mounting holes.
- Remove template

Step 4:

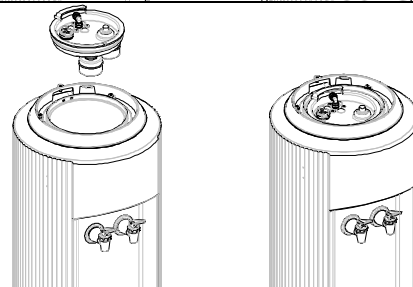
- Using 8mm Drill-bit, drill out position for water tube in top of cabinet

**Step 5:**

- Position trim ring part onto cooler as shown in pic
- Using screws provided screw trim ring part into position
- Insert float assembly into reservoir

**Step 6:**

- Insert float assembly into reservoir
- Connect water tube to float and feed through hole in cabinet, connect other end to POU Installation kit.

**Step 7:**

- Fit lid part to trim ring as shown
- Rotate to "LOCK" position and using screw provided, fit to locking position.

