



R1PY.
Chiller

OASIS Remote Chillers deliver cold water on-demand. Designed to work under a sink, in remote installations or in a pressure drinking fountain, our water-friendly chillers dispense cold, fresh drinking water how and where you need it.

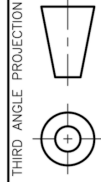
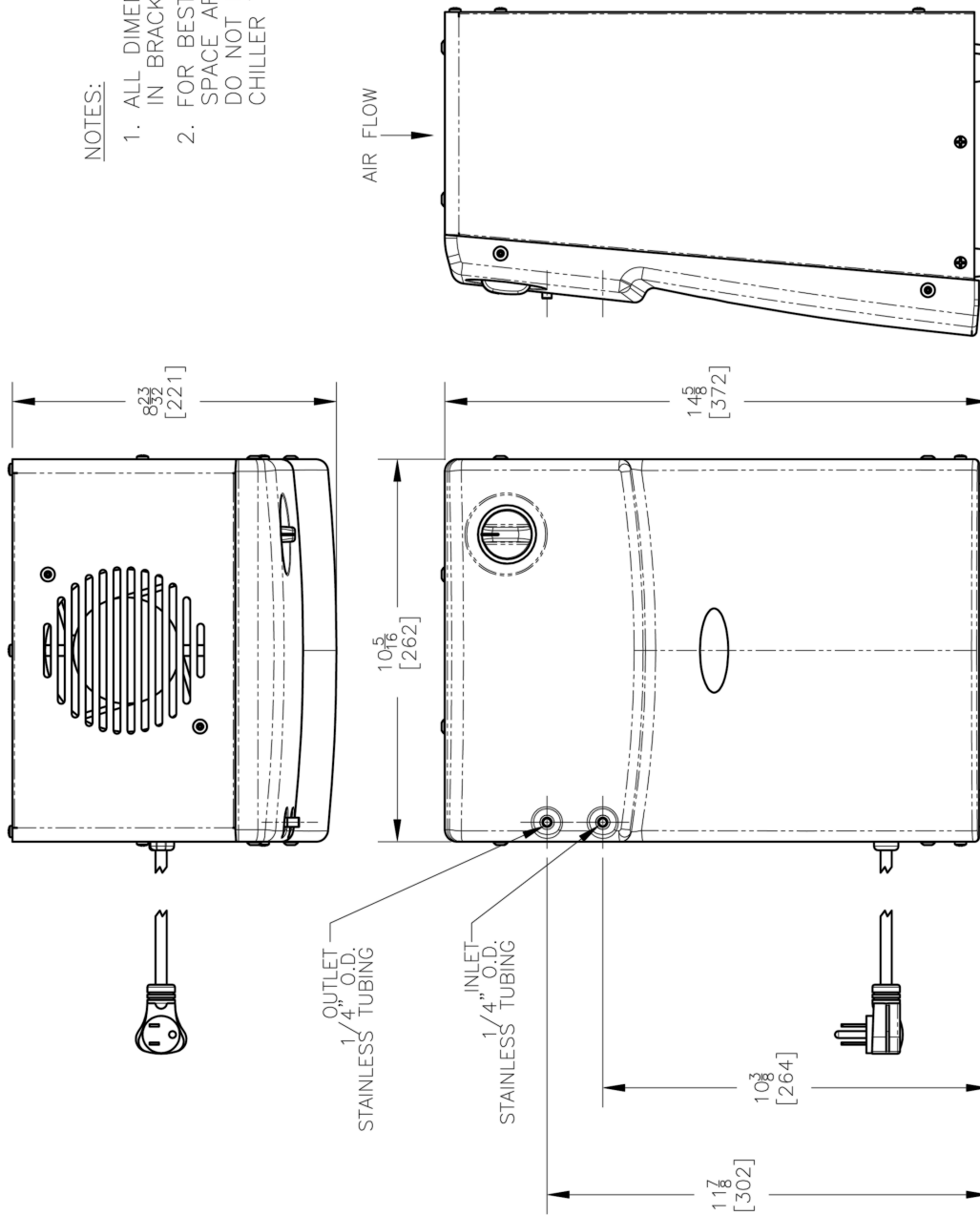
- Easy Installation
- Waterways are lead-free in materials and construction
- Waterways are all stainless steel
- High efficiency stainless steel cooling tank
- Made of heavy-gauge steel
- Refrigerant R-134a
- Delivers 6 Litres Per Hour of chilled drinking water per hour
- Ideal for under-sink or remote installations



MODEL CODE	R1PY
TYPE	For under sink or remote installations
EXTERIOR	Heavy-guage steel
WATERWAYS	Stainless Steel. Lead-free
DIMENSIONS	302(H) x 262(W) x 221(D) mm
NET WEIGHT	14 kg
POWER SUPPLY	220-240V, 50/60 Hz
COOLING PERFORMANCE	6 LPH Rated Capacity & Base Rate (10°C in 21°C amb. temp.)
FULL LOAD AMPS	0.6A
RATED WATTS	135 W
ENERGY SYSTEM	Refrigeration is on only when in use or if water temp increases during long period of standby.
COUNTRY OF ORIGIN	Mexico
CERTIFICATIONS	CE
WARRANTY	1 Year

NOTES:

1. ALL DIMENSIONS ARE IN INCHES. DIMENSIONS IN BRACKETS [] ARE IN MILLIMETERS.
2. FOR BEST PERFORMANCE, ALLOW A 2" [51] SPACE AROUND THE SIDE AND THE TOP. DO NOT PUT ANY OBJECTS ON TOP OF THE CHILLER THAT COULD OBSTRUCT THE FAN.



ROUGHING-IN
AND
DIMENSIONAL DRAWING