



## QUASAR FREE STANDING PCP10EBQY.

Contactless, Refrigerated  
Bottle Filler

**Quasar Free Standing PCP10EBQY is a contactless bottle filler with Quasar technology; killing bacteria directly at the spout, ensuring enjoyable, safe drinking water!**

Quasar Free standing PCP10EBQY delivers 75LPH of 10°C water at 21°C ambient. Cooling system uses R-134a refrigerant. This bottle filler includes an electronic sensor for a contactless (touch free) activation and a 30 second shut off timer.

Quasar bottle fillers shall have UVC-LED treatment at the point of dispense, which disinfects the water while it is being dispensed; Killing 99.99% of bacteria. UVC-LED also cycles on periodically to keep the dispense-point sanitized between dispenses.

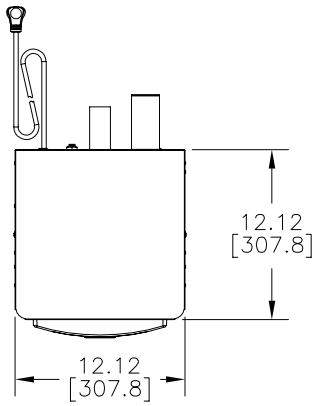
Key Quasar bottle filler moulded components shall contain Freshield, which utilises a silver-based antimicrobial compound that reduces the growth of micro-organisms and mildew to protect the surfaces from discolouration, odours and degradation.

Complies with ANSI A117.1 and ADA. Shall comply with all relevant CE directives (LVD , EMC, RoHS). Shall comply with ANSI/NSF 61.

Suitable for public building, gymnasiums, sports complexes, hospitals, schools, and offices.



MODEL CODE	PCP10EBQY
ACTIVATION	Contactless (Infrared sensor)
SENSOR COVERAGE	Up to 5cm (approx.)
FILTRATION	Green Filter (optional), Built-in 100 micron strainer
DISINFECTION	Quasar UVC-LED
AUTO-OFF WATER FLOW	Yes
DRAINAGE TYPE	Built in drain, Removable drip tray
EXTERIOR	Antimicrobial ABS Plastic, Brushed Stainless Steel
CHASSIS	Heavy Duty Galvanised Steel
DIMENSIONS	1250(H) x 300(W) x 300(D)
ALCOVE HEIGHT	265 mm
NET WEIGHT	33.6 kg
POWER SUPPLY	220-240V, 50/60 Hz
COOLING PERFORMANCE	75 LPH Rated Capacity & Base Rate (10°C in 21°C amb. temp.)
FULL LOAD AMPS	2.6A
RATED WATTS	500 W
ENERGY SYSTEM	Refrigeration is on only when in use or if water temp increases during long period of standby.
COUNTRY OF ORIGIN	Mexico
CERTIFICATIONS	ANSI/NSF 61, CABO/ANSI A117.1, ADA, CE (LVD, EMC, RoHS), WRAS
WARRANTY	1 Year

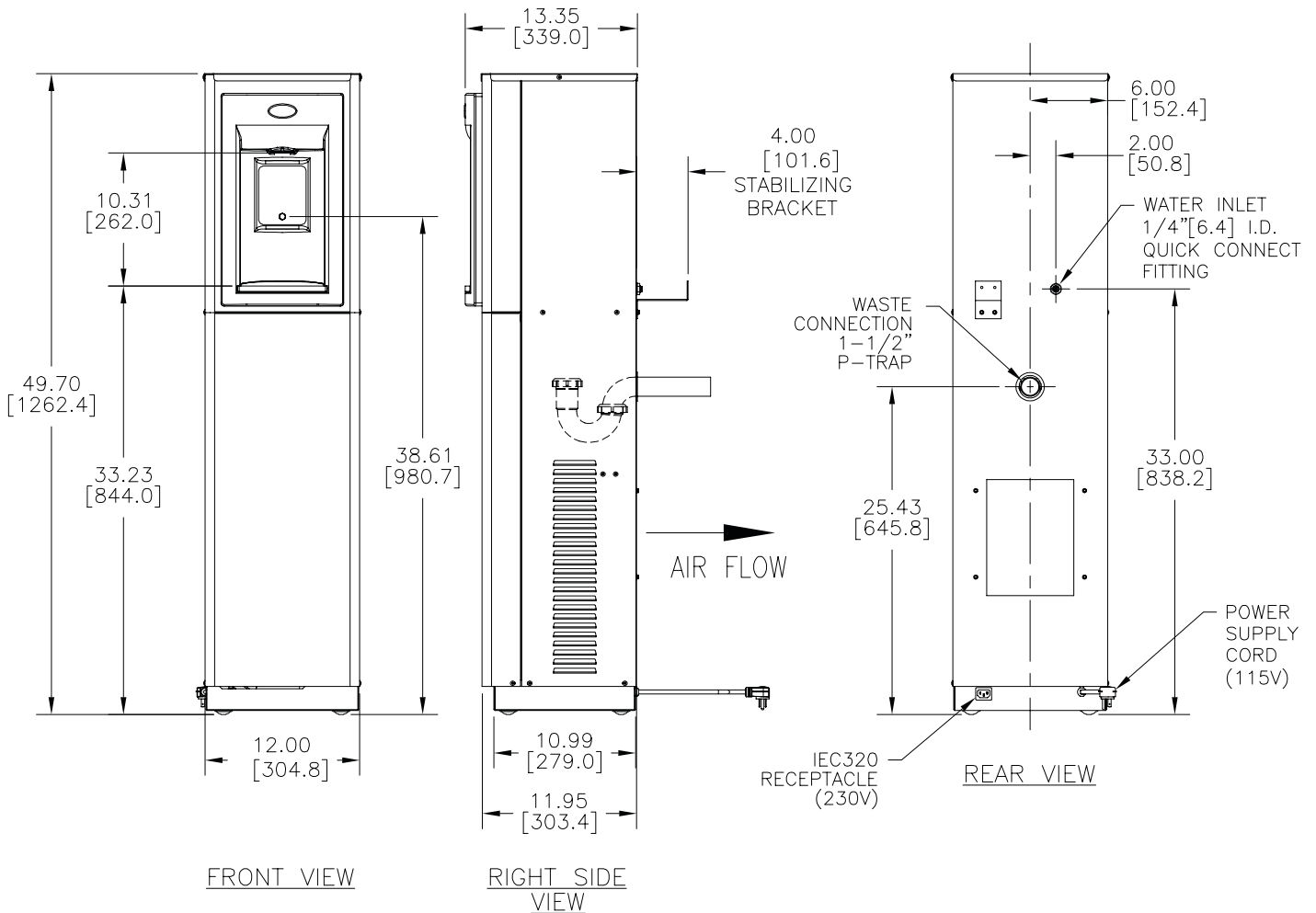


PLAN VIEW

ALL DIMENSIONS ARE IN INCHES.

DIMENSIONS IN BRACKETS [ ] ARE IN MILLIMETERS.

ALLOW 4" [102] FOR VENTILATION AT THE REAR OF THE WATER COOLER AND THE SIDES IF SET IN AN ALCOVE OR NEAR A CORNER.



www.oasis.ie  
www.oasisbottlefillers.com  
info@oasis.ie

**OASIS IRELAND**  
Bunree Industrial Estate, Ballina,  
Co. Mayo, F26 D5R3, Ireland.  
+353 96 71222

**OASIS POLAND**  
ul. Gutenberga 20,  
44-164, Gliwice, Poland  
+48 32 332 65 01



CONTACTLESS WATER

