



VERSACOOLER PV8ACSLY-14G

Manual, Refrigerated, Split-Level, Vandal-Resistant, Heavy-Duty
Drinking Fountain

Versacooler PV8ACSLY-14G is the heavy-duty, vandal-resistant solution to any high-traffic environment!

Versacooler PV8ACSLY-14G delivers 60LPH of 10°C water at 21°C ambient. This split-level, heavy-duty drinking fountain is manually activated via the vandal-resistant touch-buttons.

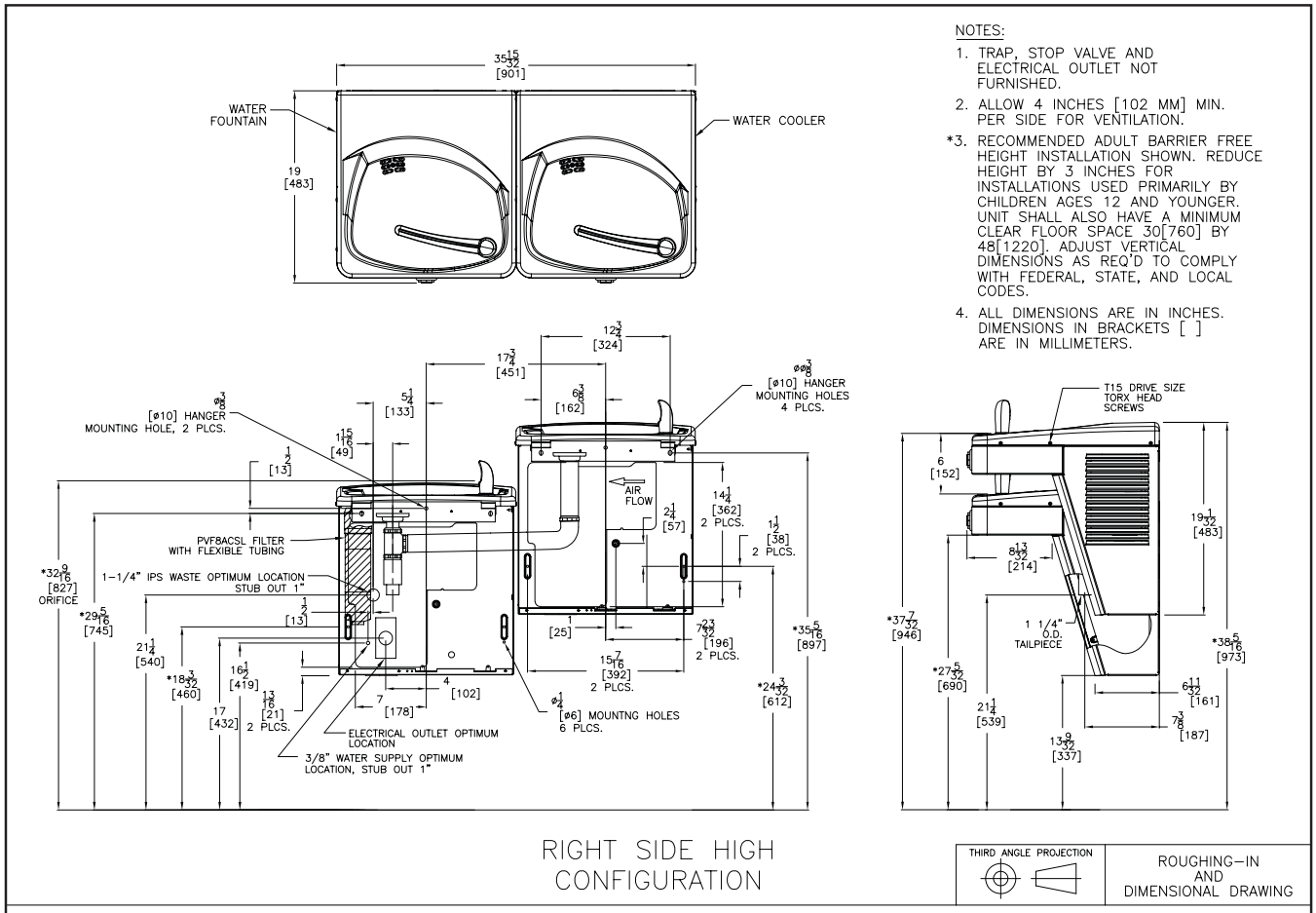
Key Versacooler moulded components shall contain Freshield, which utilises a silver-based antimicrobial compound that reduces the growth of micro-organisms and mildew to protect the surfaces from discolouration, odours and degradation.

Complies with ANSI A117.1 and ADA. Shall comply with all relevant CE directives (LVD , EMC, RoHS). Shall comply with ANSI/NSF 61.

Suitable for public building, gymnasiums, sports complexes, hospitals, schools, and offices.

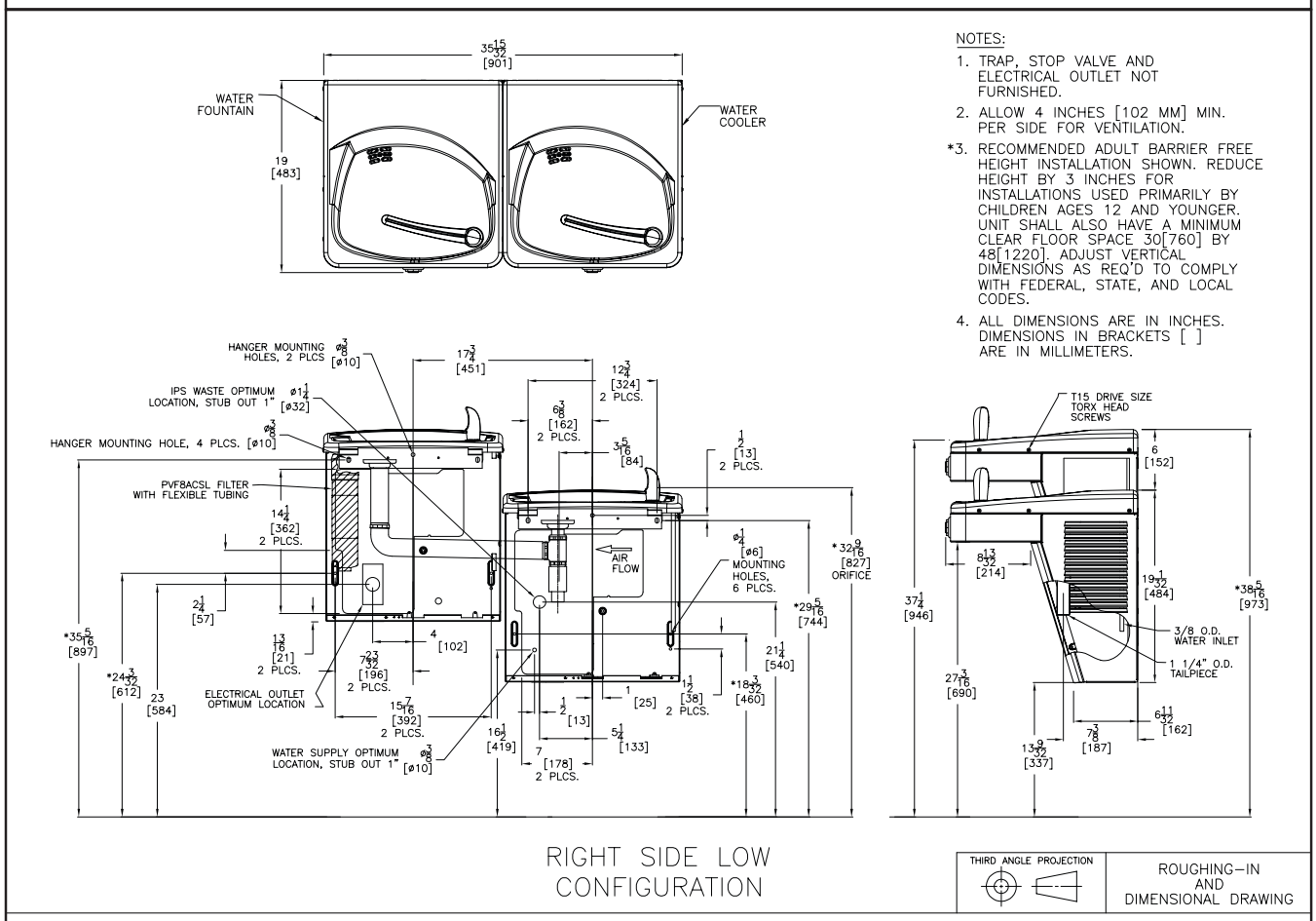


MODEL CODE	PV8ACSLY-14G
ACTIVATION	Mechanical (Vandal-Resistant touch-button)
FILTRATION	Green Filter (optional), Built-in 100 micron strainer
DISINFECTION	Ultra Blu V (optional)
AUTO-OFF WATER FLOW	No
DRAINAGE TYPE	Built in drain, Removable drip tray
EXTERIOR CHASSIS	Brushed Stainless Steel Heavy Duty Galvanised Steel
DIMENSIONS	480(H) x 451(W) x 483(D) mm (each)
NET WEIGHT	66 kg
POWER SUPPLY	220-240V, 50/60 Hz
COOLING PERFORMANCE	60 LPH Rated Capacity & Base Rate (10°C in 21°C amb. temp.)
FULL LOAD AMPS	2.2A
RATED WATTS	450 W
ENERGY SYSTEM	Refrigeration is on only when in use or if water temp increases during long period of standby.
COUNTRY OF ORIGIN	Mexico
CERTIFICATIONS	ANSI/NSF 61, CABO/ANSI A117.1, ADA, CE (LVD, EMC, RoHS)
WARRANTY	1 Year



NOTES:

1. TRAP, STOP VALVE AND ELECTRICAL OUTLET NOT FURNISHED.
2. ALLOW 4 INCHES [102 MM] MIN. PER SIDE FOR VENTILATION.
- *3. RECOMMENDED ADULT BARRIER FREE HEIGHT INSTALLATION SHOWN. REDUCE HEIGHT BY 3 INCHES FOR INSTALLATIONS USED PRIMARILY BY CHILDREN AGES 12 AND YOUNGER. UNIT SHALL ALSO HAVE A MINIMUM CLEAR FLOOR SPACE 30[760] BY 48[1220]. ADJUST VERTICAL DIMENSIONS AS REQ'D TO COMPLY WITH FEDERAL, STATE, AND LOCAL CODES.
4. ALL DIMENSIONS ARE IN INCHES. DIMENSIONS IN BRACKETS [] ARE IN MILLIMETERS.



NOTES:

1. TRAP, STOP VALVE AND ELECTRICAL OUTLET NOT FURNISHED.
2. ALLOW 4 INCHES [102 MM] MIN. PER SIDE FOR VENTILATION.
- *3. RECOMMENDED ADULT BARRIER FREE HEIGHT INSTALLATION SHOWN. REDUCE HEIGHT BY 3 INCHES FOR INSTALLATIONS USED PRIMARILY BY CHILDREN AGES 12 AND YOUNGER. UNIT SHALL ALSO HAVE A MINIMUM CLEAR FLOOR SPACE 30[760] BY 48[1220]. ADJUST VERTICAL DIMENSIONS AS REQ'D TO COMPLY WITH FEDERAL, STATE, AND LOCAL CODES.
4. ALL DIMENSIONS ARE IN INCHES. DIMENSIONS IN BRACKETS [] ARE IN MILLIMETERS.

