



FLF120.
Manual, Non-Refrigerated
Drinking Fountain

FLF120 is a bracket mounted drinking fountain.

FLF120 delivers ambient drinking water. This drinking fountain is manually activated via the Dial-A-Drink adjustable bubbler.

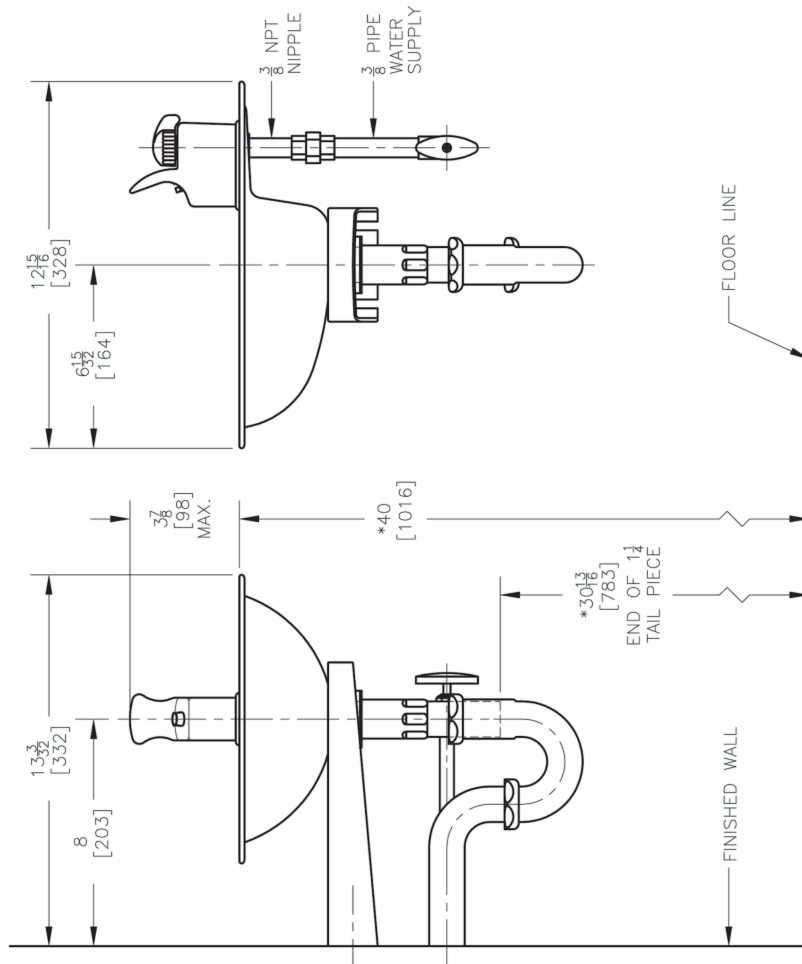
Complies with ANSI A117.1 and ADA. Shall comply with all relevant CE directives (LVD , EMC, RoHS). Shall comply with ANSI/NSF 61.

Suitable for public building, gymnasiums, sports complexes, hospitals, schools, and offices.

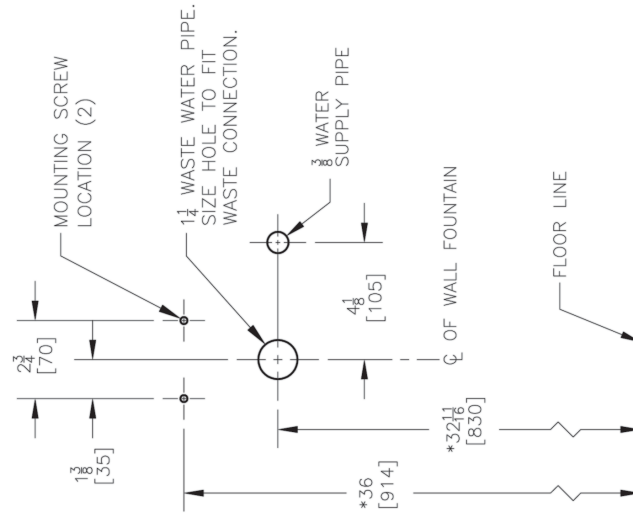


MODEL CODE	FLF120
ACTIVATION	Mechanical (Dial-A-Drink Adjustable Bubbler with Flexible Bubbler Guard)
FILTRATION	Green Filter (optional), Built-in 100 micron strainer
AUTO-OFF WATER FLOW	No
DRAINAGE TYPE	Built in drain, Removable drip tray
EXTERIOR CHASSIS	Brushed Stainless Steel Heavy Duty Galvanised Steel
DIMENSIONS	233.4(H) x 330.2(W) x 332.6(D) mm
NET WEIGHT	3 kg
POWER SUPPLY	-
COOLING PERFORMANCE	Non-Refrigerated
FULL LOAD AMPS	-
RATED WATTS	-
ENERGY SYSTEM	Refrigeration is on only when in use or if water temp increases during long period of standby.
COUNTRY OF ORIGIN	Mexico
CERTIFICATIONS	ANSI/NSF 61, CABO/ANSI A117.1, ADA, CE (LVD, EMC, RoHS)
WARRANTY	1 Year

DIMENSIONAL DRAWING

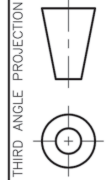


ROUGHING-IN DRAWING



NOTES:

1. TRAP, FIXTURE STOP VALVE, 3/8 WATER SUPPLY PIPES, AND UNION NOT FURNISHED WITH DRINKING FOUNTAIN.
- *2. RECOMMENDED ADULT HEIGHT INSTALLATION SHOWN. ADJUST VERTICAL DIMENSIONS AS REQUIRED TO COMPLY WITH FEDERAL, STATE AND LOCAL CODES.
3. ALL DIMENSIONS ARE IN INCHES. DIMENSIONS IN BRACKETS [] ARE IN MILLIMETERS.
4. THE FOLLOWING STATES REQUIRE A LICENSED PLUMBER TO INSTALL FOUNTAIN; AR, GA, MA, MI, OK, RI, SC, SD, TX, VT AND WI. CA, KS, MN, NM, AND OR ALLOW FOR A STATE REGISTERED INSTALLER OR CONTRACTOR AS WELL. STATE AND LOCAL PLUMBING CODES MAY PROHIBIT THE USE OF SADDLE TAPPING VALVES FOR WATER LINE CONNECTION IN SOME APPLICATIONS. ALL CONNECTIONS MUST CONFORM TO APPLICABLE PLUMBING CODES.



ROUGHING-IN
AND
DIMENSIONAL DRAWING

