



F140PM
Manual, Non-Refrigerated
Drinking Fountain

F140PM is a modular compact drinking fountain, ideal for those smaller spaces.

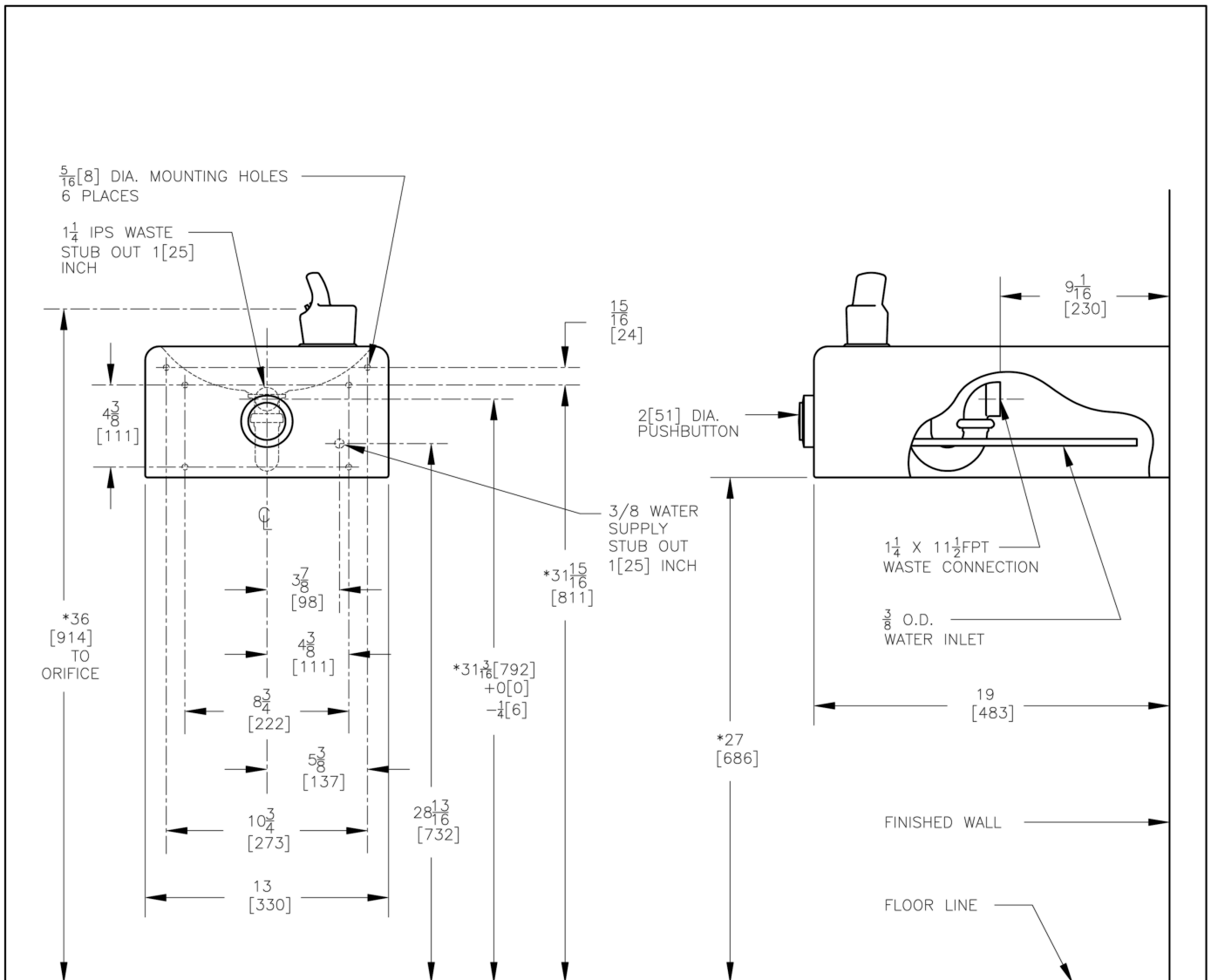
F140PM delivers ambient drinking water. This drinking fountain is manually activated via the vandal-resistant touch-button.

Complies with ANSI A117.1 and ADA. Shall comply with all relevant CE directives (LVD , EMC, RoHS). Shall comply with ANSI/NSF 61.

Suitable for public building, gymnasiums, sports complexes, hospitals, schools, and offices.



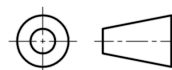
MODEL CODE	F140PM
ACTIVATION	Mechanical (Vandal-Resistant touch-button)
FILTRATION	Green Filter (optional), Built-in 100 micron strainer
DISINFECTION	Ultra Blu V (optional)
AUTO-OFF WATER FLOW	No
DRAINAGE TYPE	Built in drain, Removable drip tray
EXTERIOR CHASSIS	Antimicrobial copper touch points, Brushed Stainless Steel
DIMENSIONS	Heavy Duty Galvanised Steel 228(H) x 330(W) x 483(D) mm
NET WEIGHT	11 kg
POWER SUPPLY	-
COOLING PERFORMANCE	Non-Refrigerated
FULL LOAD AMPS	-
RATED WATTS	-
ENERGY SYSTEM	-
COUNTRY OF ORIGIN	Mexico
CERTIFICATIONS	ANSI/NSF 61, CABO/ANSI A117.1, ADA, CE (LVD, EMC, RoHS)
WARRANTY	1 Year



NOTES:

1. STOP VALVE NOT FURNISHED.
- *2. RECOMMENDED ADULT HEIGHT INSTALLATION SHOWN. ADJUST VERTICAL DIMENSIONS AS REQ'D TO COMPLY WITH FEDERAL, STATE, AND LOCAL CODES.
3. ALL DIMENSIONS ARE IN INCHES. DIMENSIONS IN BRACKETS [] ARE IN MILLIMETERS.
4. THE FOLLOWING STATES REQUIRE A LICENSED PLUMBER TO INSTALL FOUNTAIN; AR, GA, MA, MI, OK, RI, SC, SD, TX, VT AND WI. CA, KS, MN, NM, AND OR ALLOW FOR A STATE REGISTERED INSTALLER OR CONTRACTOR AS WELL. STATE AND LOCAL PLUMBING CODES MAY PROHIBIT THE USE OF SADDLE TAPPING VALVES FOR WATER LINE CONNECTION IN SOME APPLICATIONS. ALL CONNECTIONS MUST CONFORM TO APPLICABLE PLUMBING CODES.

THIRD ANGLE PROJECTION



ROUGHING-IN
AND
DIMENSIONAL DRAWING

