



F140PM-14G

Manual, Non-Refrigerated, Vandal-Resistant, Heavy Duty
Drinking Fountain

F140PM-14G is the compact, heavy-duty, vandal-resistant solution to any high-traffic environment!

F140PM-14G delivers ambient drinking water. This heavy-duty drinking fountain is manually activated via the vandal-resistant touch-button.

This drinking fountain includes a heavy-gauge galvanized steel wall mounting frame.

Complies with ANSI A117.1 and ADA. Shall comply with all relevant CE directives (LVD , EMC, RoHS). Shall comply with ANSI/NSF 61.

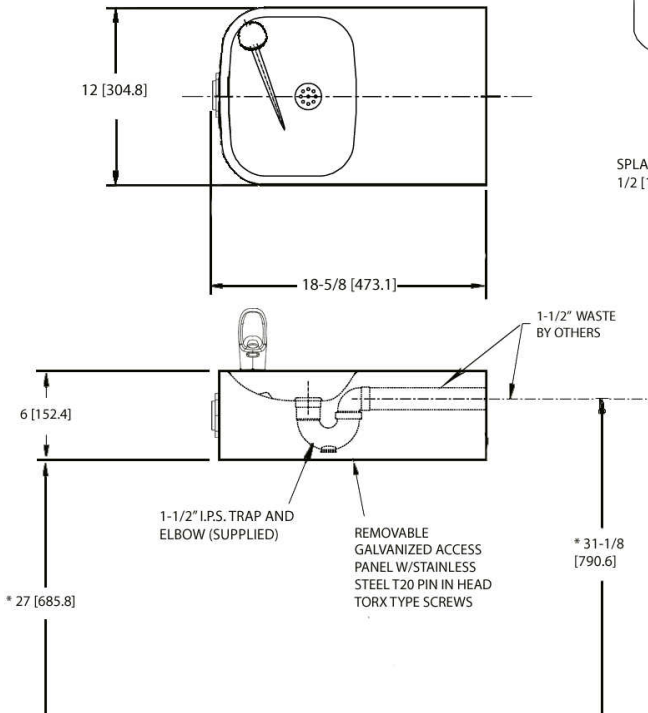
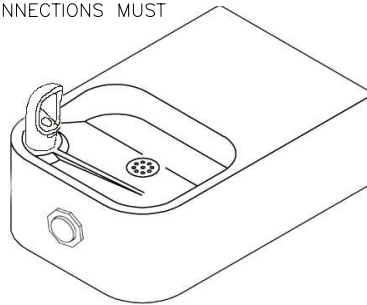
Suitable for public building, gymnasiums, sports complexes, hospitals, schools, and offices.



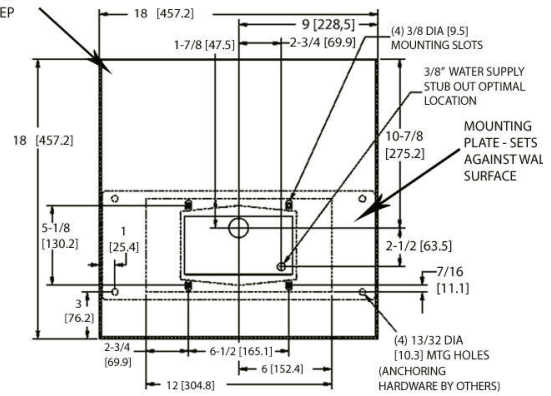
MODEL CODE	F140PM-14G
ACTIVATION	Mechanical (Vandal-Resistant touch-button)
FILTRATION	Green Filter (optional), Built-in 100 micron strainer
DISINFECTION	Ultra Blu V (optional)
AUTO-OFF WATER FLOW	No
DRAINAGE TYPE	Built in drain, Removable drip tray
EXTERIOR CHASSIS	Antimicrobial ABS Plastic, Brushed Stainless Steel
DIMENSIONS	Heavy Duty Galvanised Steel
NET WEIGHT	464(H) x 502(W) x 496(D) mm (89 recessed)
POWER SUPPLY	11kg
COOLING PERFORMANCE	-
FULL LOAD AMPS	Non-Refrigerated
RATED WATTS	-
ENERGY SYSTEM	-
COUNTRY OF ORIGIN	Mexico
CERTIFICATIONS	ANSI/NSF 61, CABO/ANSI A117.1, ADA, CE (LVD, EMC, RoHS)
WARRANTY	1 Year

NOTES:

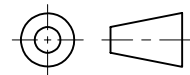
1. STOP VALVE NOT FURNISHED.
- *2. RECOMMENDED ADULT HEIGHT INSTALLATION SHOWN. ADJUST VERTICAL DIMENSIONS AS REQ'D TO COMPLY WITH FEDERAL, STATE, AND LOCAL CODES.
3. ALL DIMENSIONS ARE IN INCHES. DIMENSIONS IN BRACKETS [] ARE IN MILLIMETERS.
4. THE FOLLOWING STATES REQUIRE A LICENSED PLUMBER TO INSTALL FOUNTAIN; AR, GA, MA, MI, OK, RI, SC, SD, TX, VT AND WI. CA, KS, MN, NM, AND OR ALLOW FOR A STATE REGISTERED INSTALLER OR CONTRACTOR AS WELL. STATE AND LOCAL PLUMBING CODES MAY PROHIBIT THE USE OF SADDLE TAPPING VALVES FOR WATER LINE CONNECTION IN SOME APPLICATIONS. ALL CONNECTIONS MUST CONFORM TO APPLICABLE PLUMBING CODES.
5. SPLASH PANEL AND MOUNTING PLATE SOLD AS SEPARATE ACCESSORIES



SPLASH PANEL
1/2 [12.7] DEEP



THIRD ANGLE PROJECTION



ROUGHING-IN
AND
DIMENSIONAL DRAWING

