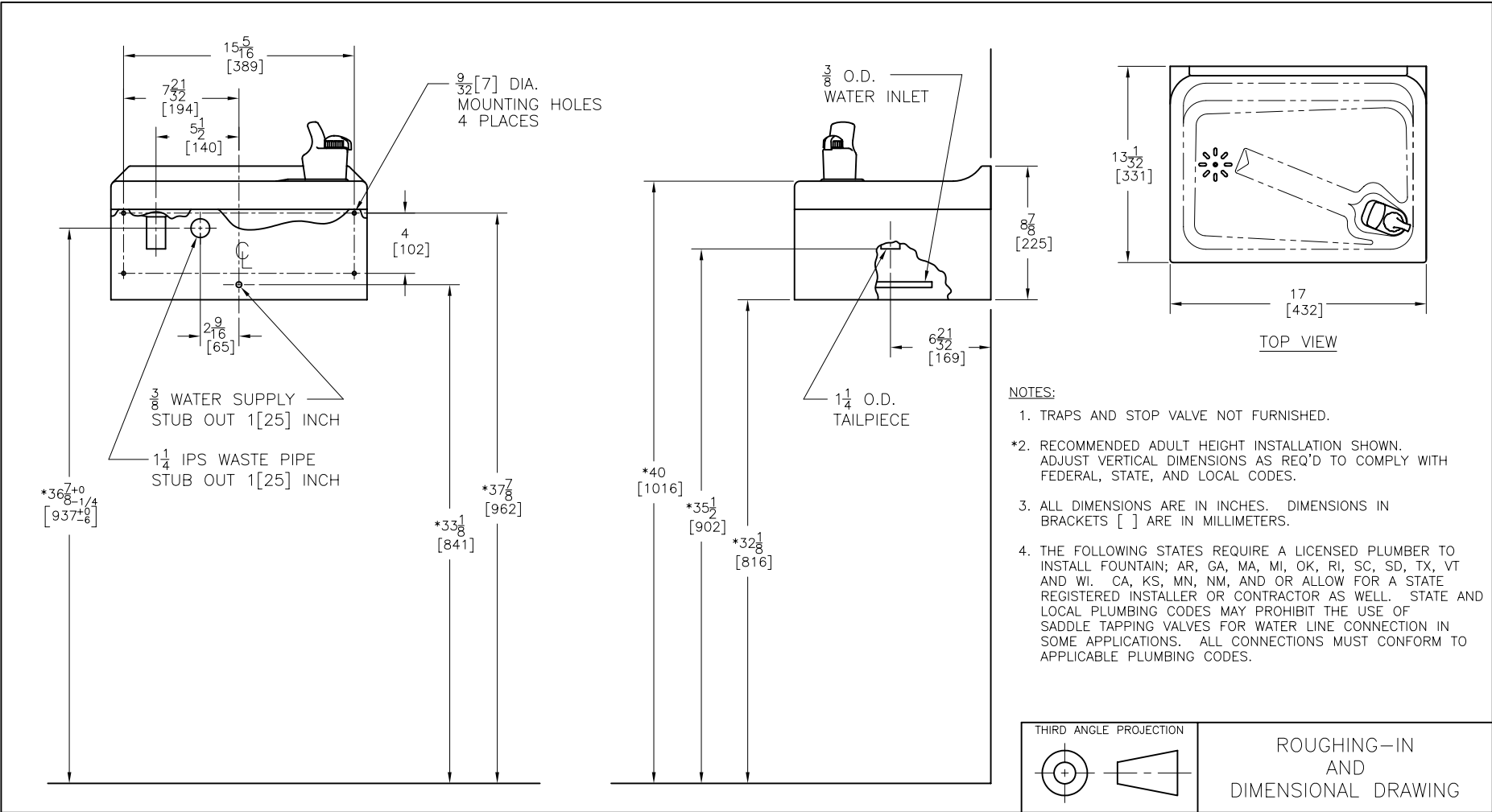


FOUNTAIN MODELS OASIS® F100, SUNROC DF-7501 INSTRUCTIONS



222 East Campus View Blvd. • Columbus, OH 43235 U.S.A.
1-800-950-3226
www.oasiscoolers.com

OASIS is a trademark of Oasis International
OASIS® is a registered trademark of Oasis International

© 2009 Oasis International
030099-025 Rev G